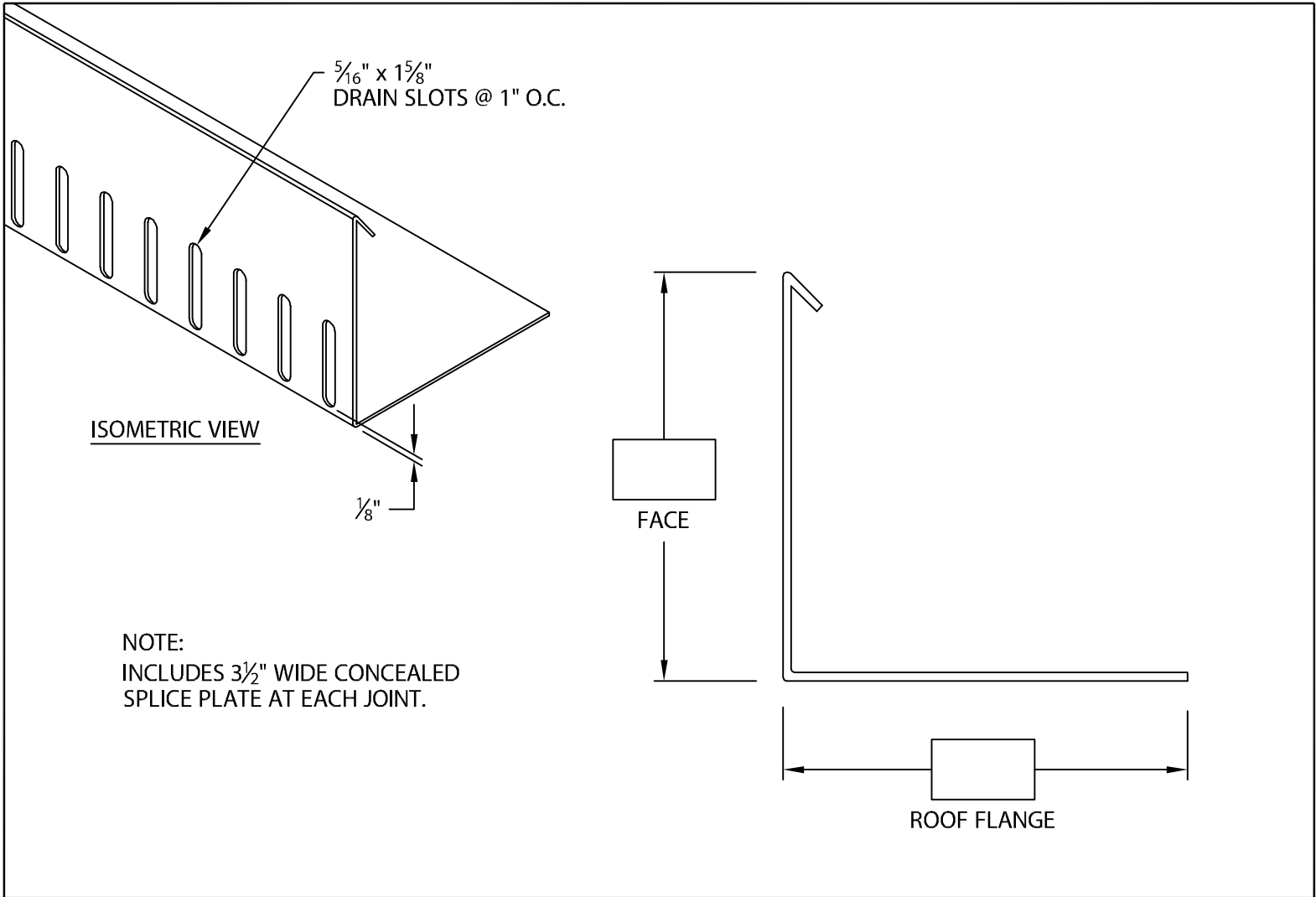


DERBIGUM GARDEN-TITE DRAIN BAR

6" OR LESS FACE HEIGHT VERSION



Fabrication will proceed only after receipt of signed print approval.

Print Approval:

Architect and/or contractor shall verify all dimensions, sizes and quantities. All products to be installed in strict accordance with Derbigum's printed instructions.

Approved by: _____

Date: _____

MATERIAL:

___ .063" (1.60 mm) Mill Finish Alum.

___ .080" (2.03 mm) Mill Finish Alum.

___ .125" (3.18 mm) Mill Finish Alum.

QUANTITIES:

_____ Lineal Feet 12'-0" (3.65 m) Lengths

PROJECT:

ARCHITECT:

ROOFING CONTRACTOR:

REPRESENTATIVE/DISTRIBUTOR:

Customer Service
1-800-727-9872



DERBIGUM®
MAKING BUILDINGS SMART

DATE: 02/11/17

DRN BY: JJC

CKD BY: SAK

SHT.# ___ OF ___

DWG# 20030-25712

A