

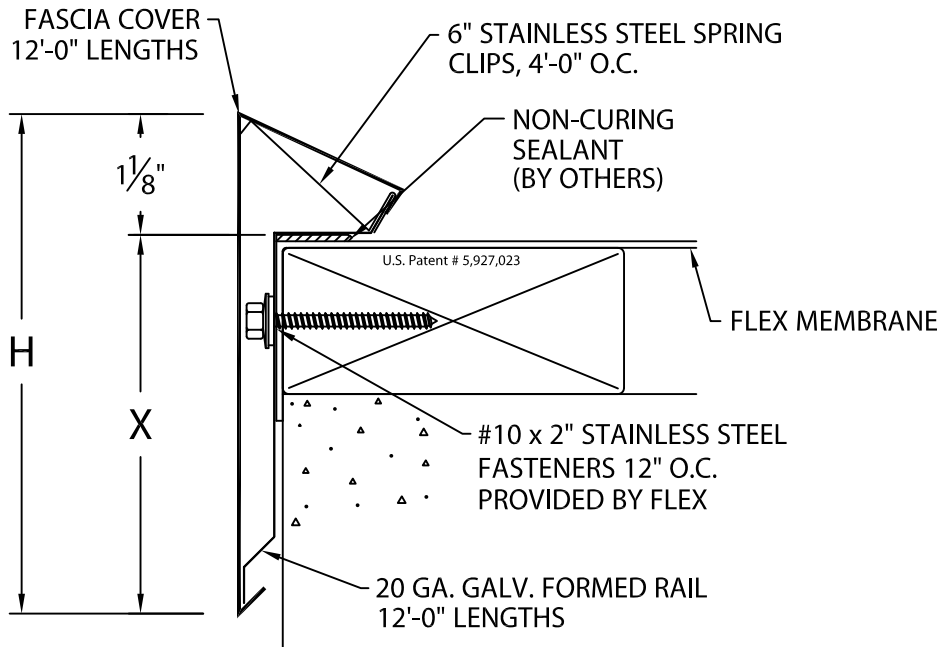


FLEXLOCK FLT ROOF EDGE

FULLY ADHERED OR MECHANICALLY ATTACHED SINGLE-PLY VERSION

ANSI/SPRI ES-1 DESIGN PRESSURE OF 155 psf

24 GA. AND .040" MATERIAL



Fascia is to be installed per Specifications and Flex's Installation Instructions Dwg. # 28110-11368

FASCIA COVER PROVIDED WITH 1" LAP JOINTS

FLEXLOCK FLT ROOF EDGE DIMENSIONS

PRODUCT ID. NO.	H DIM	X DIM	NAILER COVERAGE
<input type="checkbox"/> ME-40	4"	2 7/8"	1 NAILER
<input type="checkbox"/> ME-50	5"	3 7/8"	2 NAILERS
<input type="checkbox"/> ME-65	6 1/2"	5 3/8"	3 NAILERS
<input type="checkbox"/> ME-80	8"	6 7/8"	4 NAILERS

MATERIAL:

___ 24 Ga. Galv. Steel

___ .040" Aluminum

___ OTHER _____

Color: _____ Finish: _____

Fabrication will proceed only after receipt of signed print approval.

Print Approval:

Architect and/or contractor shall verify all dimensions, sizes and quantities. All products to be installed in strict accordance with Flex's printed instructions.

Approved by: _____

Date: _____

QUANTITIES:

_____ Lineal Feet 12'-0" Lengths

_____ Outside Miter(s) @ 90° (Cover Only)

_____ Inside Miter(s) @ 90° (Cover Only)

_____ Overflow Scupper Style ___A___B

_____ Spillout Scupper Style ___A___B

_____ Downspout Scupper Style ___A___B

(___X___) Size A: Tapered 1 1/2" Drop
B: Flat

FOR NON-90 MITERS SEE PRINT APPROVAL #28010-3436

PROJECT:

ARCHITECT:

ROOFING CONTRACTOR:

REPRESENTATIVE/DISTRIBUTOR:

Customer Service:

Phone: 800-969-0108

Fax: 610-916-9501



DATE: 03/24/17

DRN BY: JAB

CKD BY: SAK

SHT.# ___ OF ___

DWG# 28010-11367

G