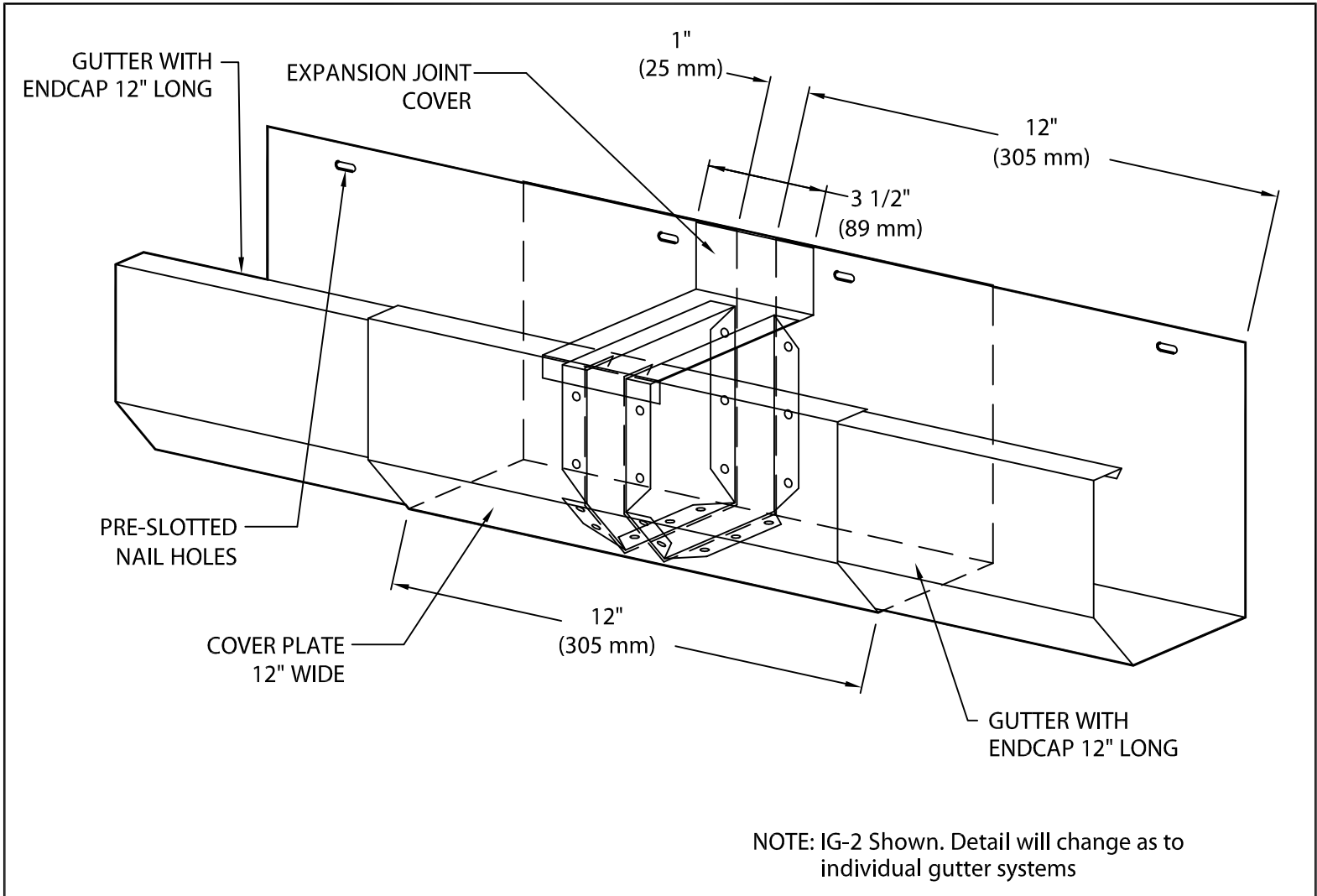


STYLE 1 GUTTER EXPANSION JOINT

SMACNA DESIGN



NOTE: IG-2 Shown. Detail will change as to individual gutter systems

Fabrication will proceed only after receipt of signed print approval.

Print Approval:

Architect and/or contractor shall verify all dimensions, sizes and quantities. All products to be installed in strict accordance with Versico, Inc's. printed instructions.

Approved by: _____

Date: _____

MATERIAL:

- 24 Ga. (.65 mm) Galv.
- .040" (1.01 mm) Alum. Color: _____
- .050" (1.27 mm) Alum.
- .063" (1.60 mm) Alum. Finish: _____
- OTHER _____

QUANTITIES:

_____ Amount Required

PROJECT:

ARCHITECT:

ROOFING CONTRACTOR:

REPRESENTATIVE/DISTRIBUTOR:

Customer Service
800-558-2162
(Metal-Era)



DATE: 07/03/08

DRN BY: JJC

CKD BY: SAK

SHT.# ___ OF ___

DWG# 18012-2067

C