

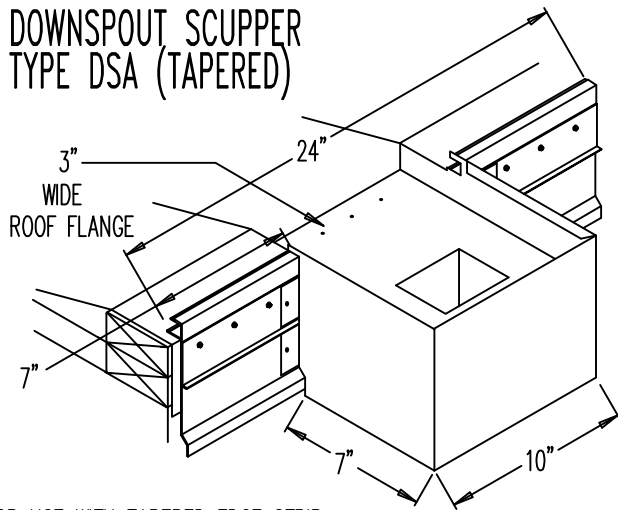
# SECUREDGE 2000 HG FASCIA - SCUPPERS

FOR .050" & .063" ALUM. COVERS & FULLY ADHERED OR MECHANICALLY ATTACHED SINGLE-PLY ROOF SYSTEMS

NOTE: WOOD NAILERS REQUIRED.

SCUPPERS -- FACTORY WELDED CONSTRUCTION

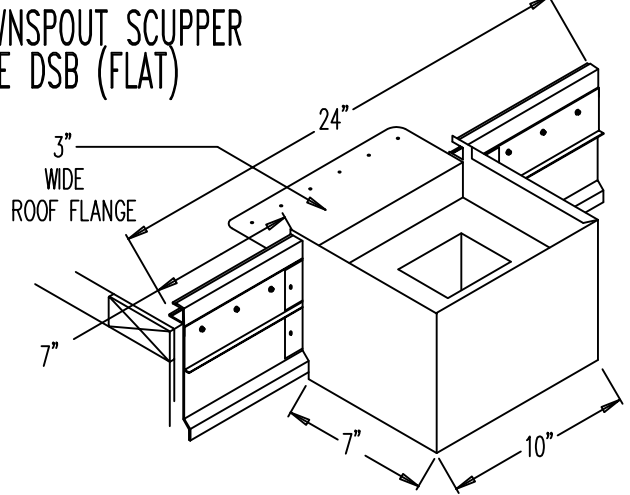
**DOWNSPOUT SCUPPER  
TYPE DSA (TAPERED)**



FOR USE WITH TAPERED EDGE STRIP.  
FLANGE LOWERED 1-1/2\".

NOTE : SPECIFY TUBE SIZE

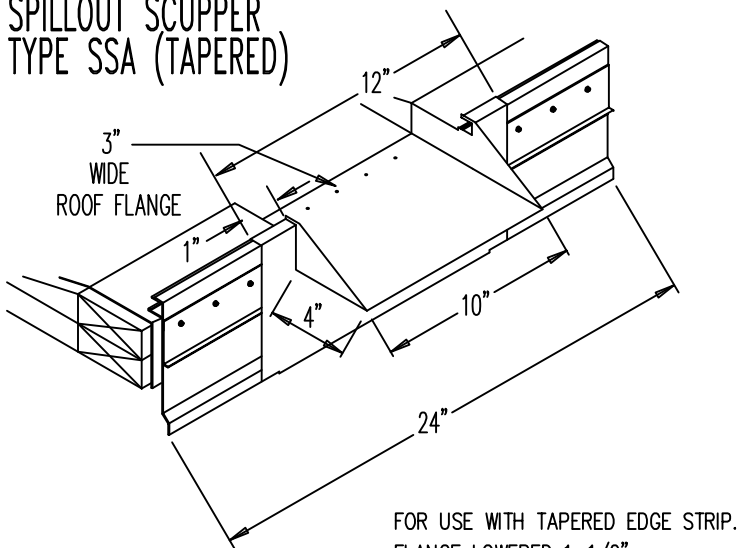
**DOWNSPOUT SCUPPER  
TYPE DSB (FLAT)**



FOR USE WITHOUT TAPERED EDGE STRIP.  
FLANGE FLUSH MOUNTED WITH ROOF.

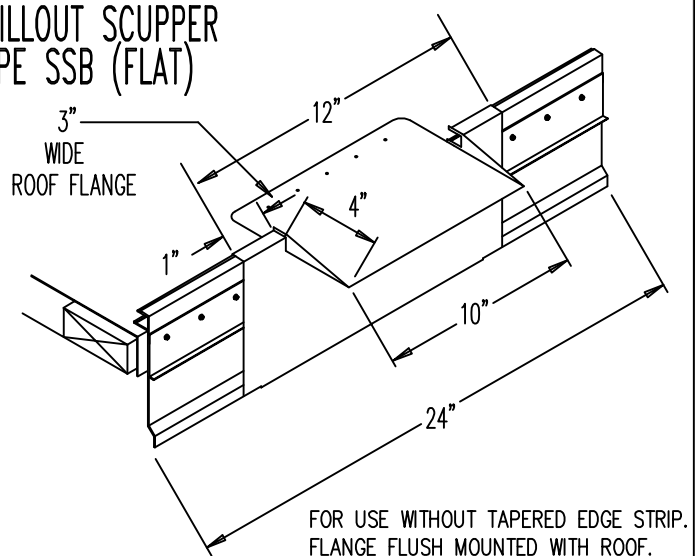
NOTE : SPECIFY TUBE SIZE

**SPILOUT SCUPPER  
TYPE SSA (TAPERED)**



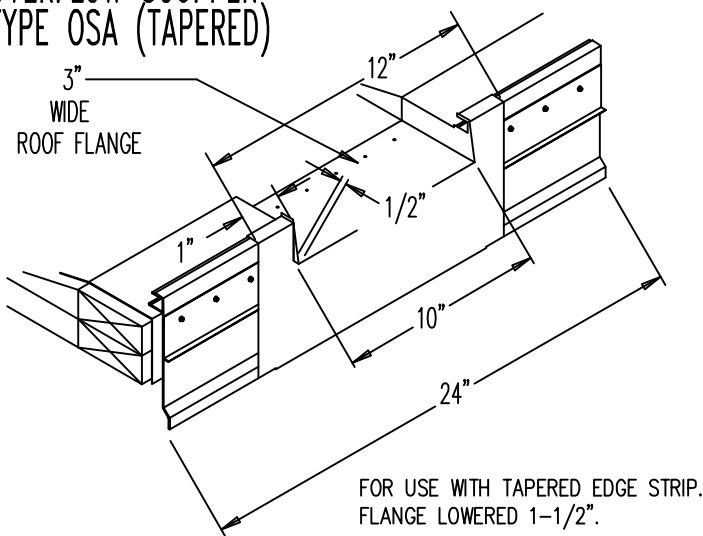
FOR USE WITH TAPERED EDGE STRIP.  
FLANGE LOWERED 1-1/2\".

**SPILOUT SCUPPER  
TYPE SSB (FLAT)**



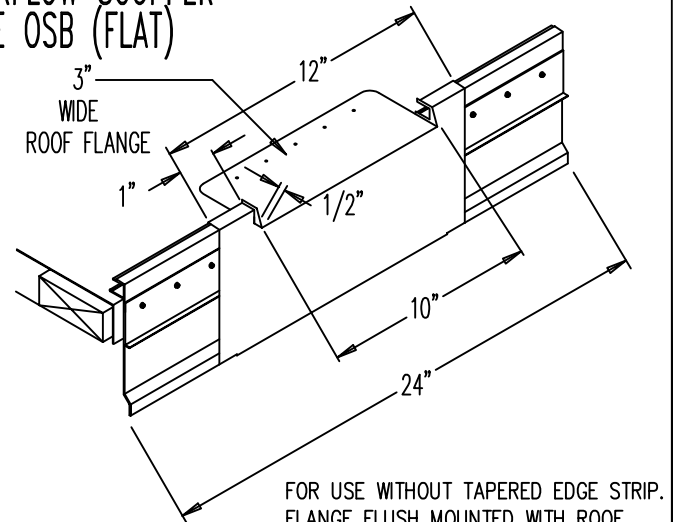
FOR USE WITHOUT TAPERED EDGE STRIP.  
FLANGE FLUSH MOUNTED WITH ROOF.

**OVERFLOW SCUPPER  
TYPE OSA (TAPERED)**



FOR USE WITH TAPERED EDGE STRIP.  
FLANGE LOWERED 1-1/2\".

**OVERFLOW SCUPPER  
TYPE OSB (FLAT)**



FOR USE WITHOUT TAPERED EDGE STRIP.  
FLANGE FLUSH MOUNTED WITH ROOF.