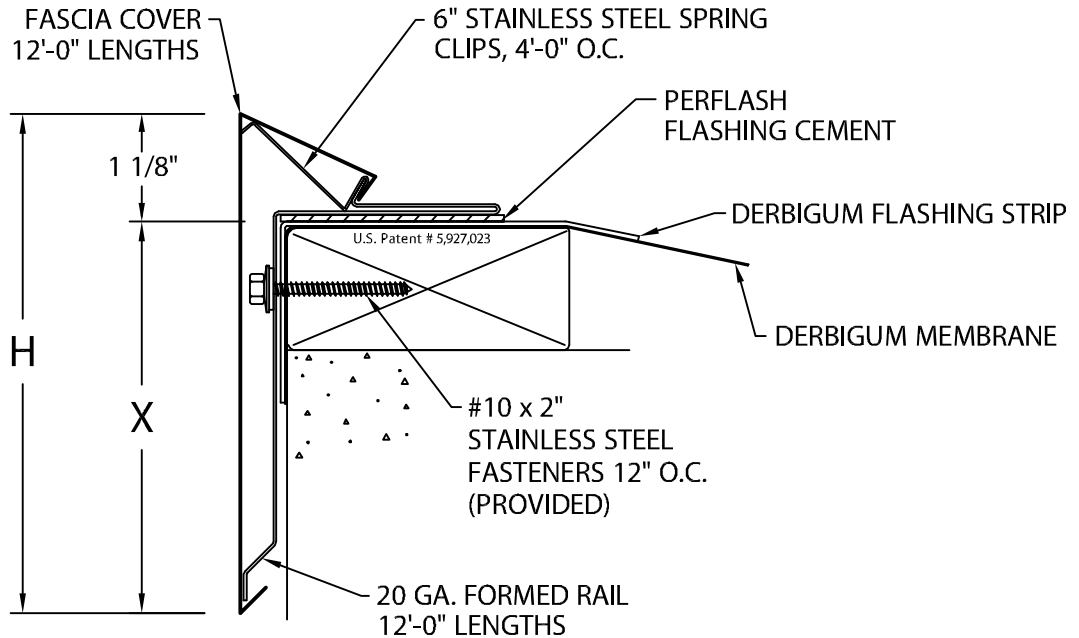




DERBIGUM ONE EDGE

24 GA. AND .040" MATERIAL

ANSI/SPRI ES-1 DESIGN PRESSURE OF 200 psf



FASCIA COVER PROVIDED WITH 1" LAP JOINTS

DERBIGUM ONE EDGE DIMENSIONS

| PRODUCT ID. NO. | H DIM | X DIM | NAILER COVERAGE |
|----------------------------------|--------|--------|-----------------|
| <input type="checkbox"/> ESE-M50 | 5" | 3 7/8" | 2 NAILERS |
| <input type="checkbox"/> ESE-M65 | 6 1/2" | 5 3/8" | 3 NAILERS |
| <input type="checkbox"/> ESE-M80 | 8" | 6 7/8" | 4 NAILERS |

MATERIAL:

- 24 Ga. Galv. Steel
 .040" Aluminum
 OTHER _____

Color: _____

Finish: _____

Fabrication will proceed only after receipt of signed print approval.

Print Approval:

Architect and/or contractor shall verify all dimensions, sizes and quantities. All products to be installed in strict accordance with Derbigum's printed instructions.

Approved by: _____

Date: _____

QUANTITIES:

_____ Lineal Feet 12'-0" Lengths

_____ Outside Miters @ 90° (Cover Only)

_____ Inside Miters @ 90° (Cover Only)

_____ Overflow Scupper Style ___A___B

_____ Spillout Scupper Style ___A___B

_____ Downspout Scupper Style ___A___B

(____X____) Size A: Tapered 1 1/2" Drop
B: Flat

FOR NON-90 MITERS SEE PRINT APPROVAL #20010-25624

PROJECT:

ARCHITECT:

ROOFING CONTRACTOR:

REPRESENTATIVE/DISTRIBUTOR:

Customer Service
1-800-727-9872



DERBIGUM®
MAKING BUILDINGS SMART

DATE: 02/08/17

DRN BY: JJC

CKD BY: SAK

SHT.# ___ OF ___

DWG# 20010-25636

A