



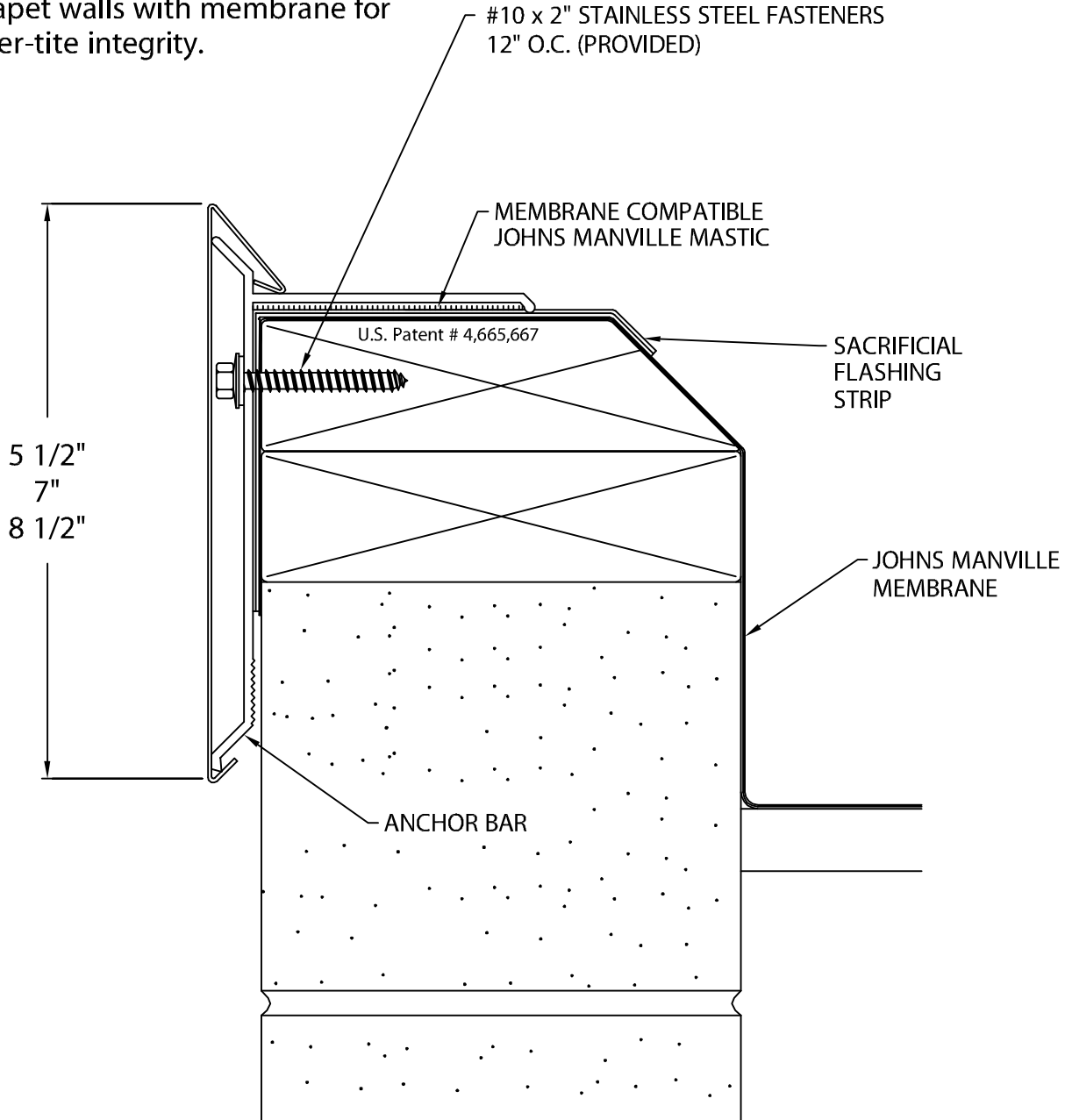
PRESTO-TITE FASCIA

BUILT-UP OR MODIFIED VERSION

ALTERNATE PARAPET DETAIL

Parapet Closure

In lieu of coping, Presto-Tite fascia may be used when wrapping parapet walls with membrane for water-tite integrity.



PROJECT:

ARCHITECT:

ROOFING CONTRACTOR:

REPRESENTATIVE/DISTRIBUTOR:

51 Lexington Street; Lewiston, ME 04240

CUSTOMER SERVICE: 800-223-8317 USA

800-445-1500 Canada

TECHNICAL SERVICE: 800-445-1500 USA & Canada

FAX: 207-784-0125

OTHER AREAS CALL: 207-784-0123

JM Johns Manville

DATE: 03/20/17

DRN BY: JJC

CKD BY: SAK

SHT.# ___ OF ___

DWG# 16510-2179

F