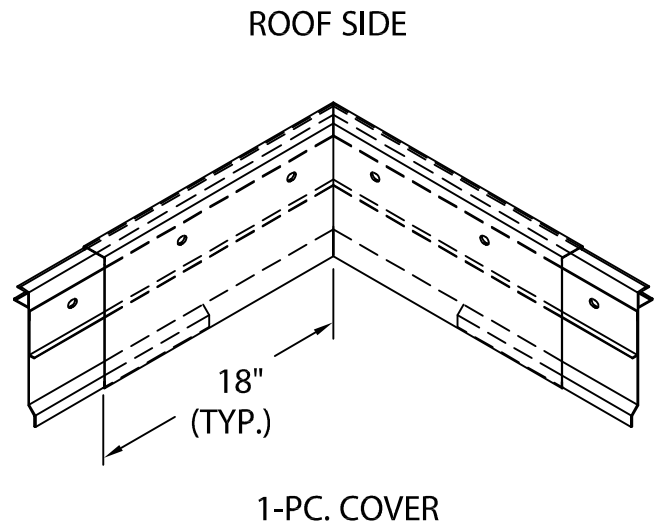
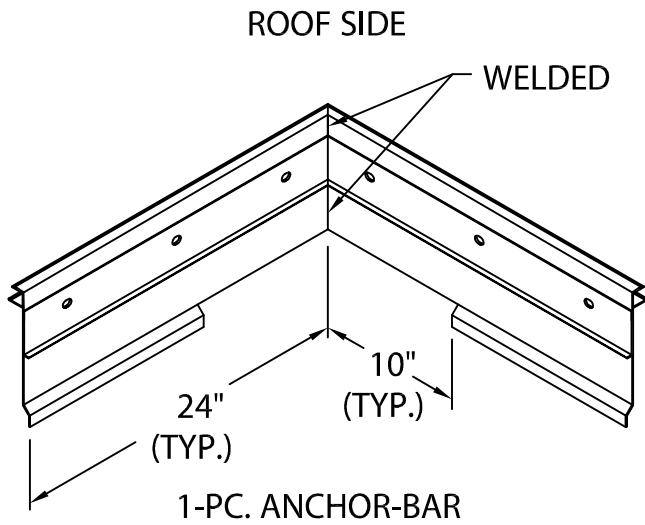


PRESTO-TITE HG FASCIA

FULLY ADHERED OR MECHANICALLY ATTACHED SINGLE-PLY VERSION

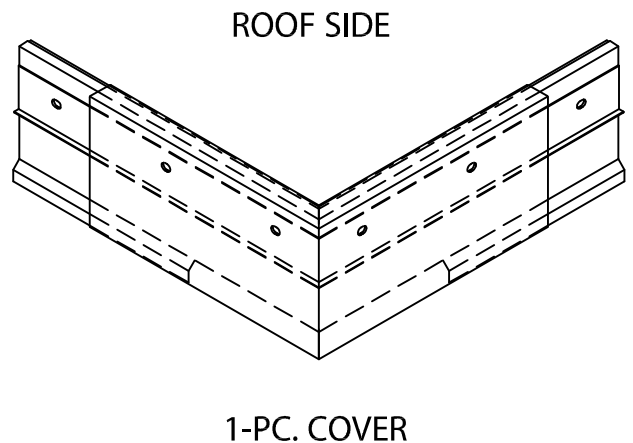
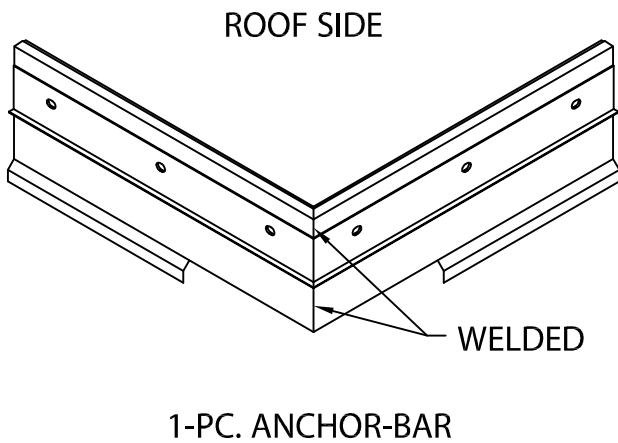
MITERS - FACTORY WELDED CONSTRUCTION

INSIDE MITER



FASTENERS INCLUDED

OUTSIDE MITER



NOTE: WOOD NAILERS REQUIRED.

PROJECT:	51 Lexington Street; Lewiston, ME 04240 CUSTOMER SERVICE: 800-223-8317 USA 800-445-1500 Canada TECHNICAL SERVICE: 800-445-1500 USA & Canada FAX: 207-784-0125 OTHER AREAS CALL: 207-784-0123
ARCHITECT:	
ROOFING CONTRACTOR:	
REPRESENTATIVE/DISTRIBUTOR:	



DATE: 04/16/07	SHT.# ___ OF ___
DRN BY: JJC	DWG# 16510-5602
CKD BY: SAK	