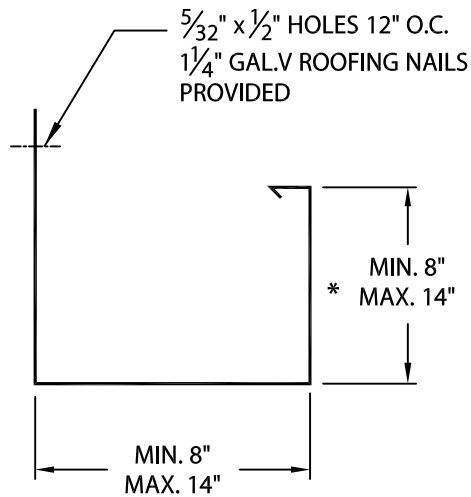
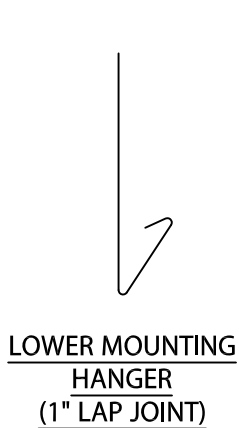
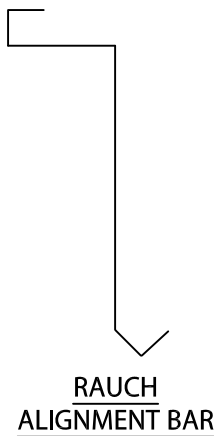
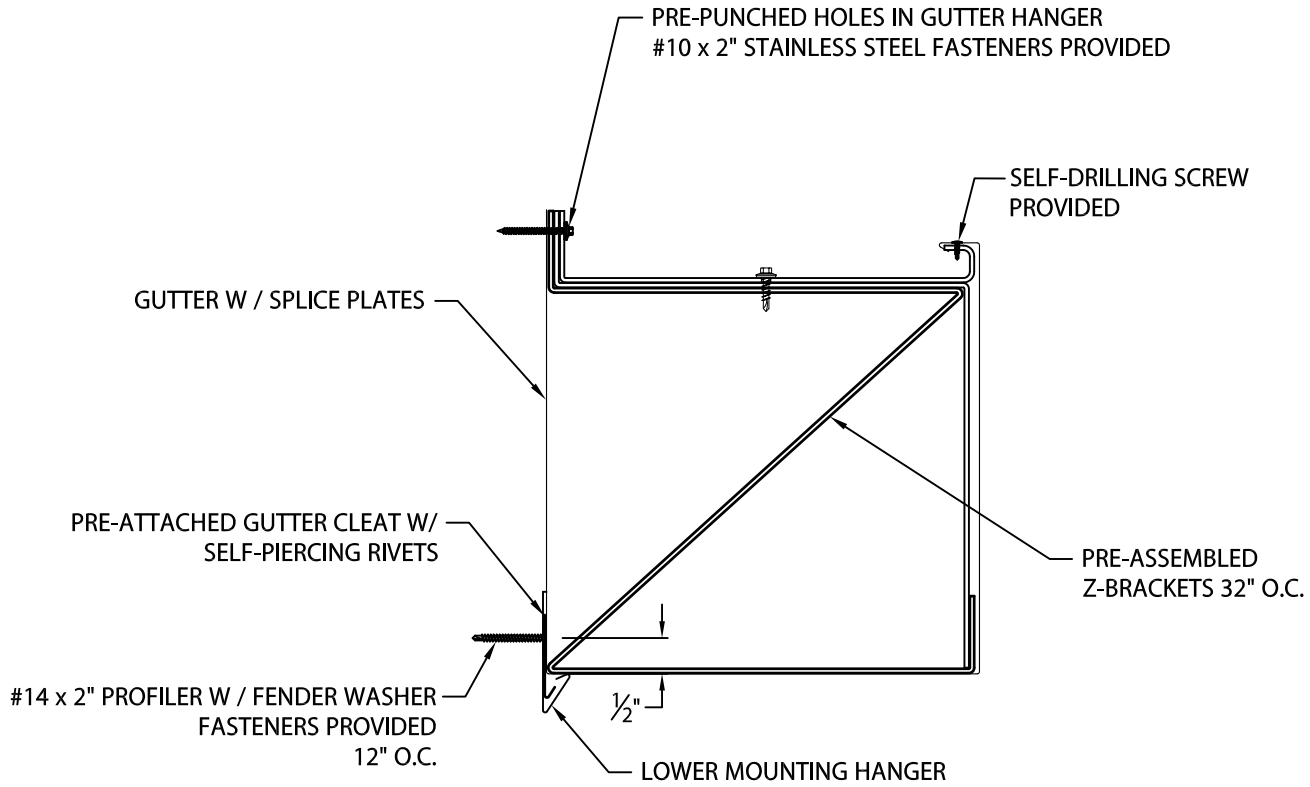




FIBERTITE INDUSTRIAL XL GUTTER

BOX VERSION



FRONT FACE
HEIGHT MUST
MATCH BOTTOM
WIDTH

* DIMENSION MUST BE A
MINIMUM 1" LESS THAN
BACKER HEIGHT



Phone: 800-927-8578
ext. 1235
fax: 330-263-6950

DATE: 06/08/23
DRN BY: MLM
CKD BY: MM

SHT.# ____ OF ____

DWG# 23512-40933

A