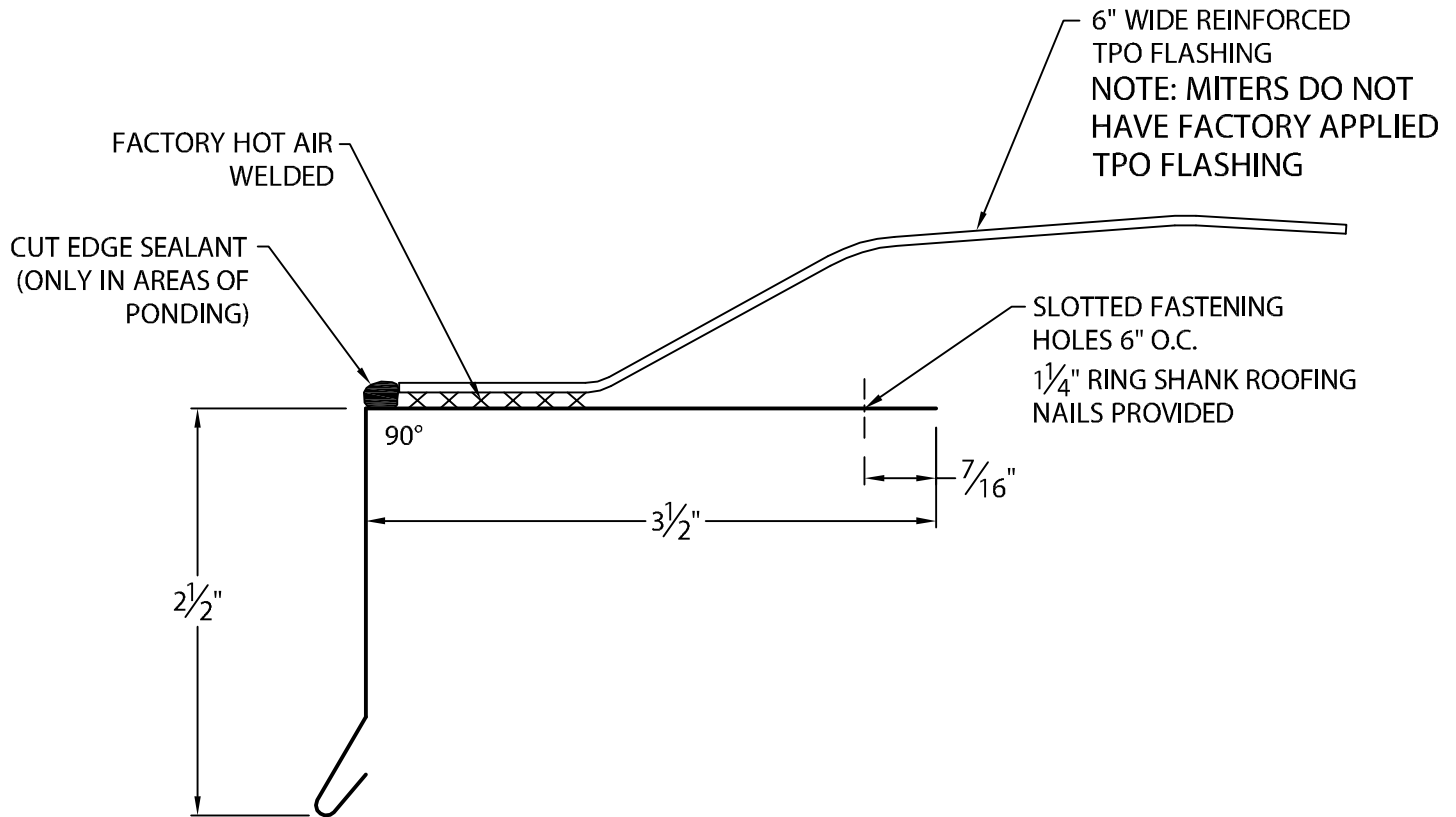


SECURWELD™ 200 TPO SKIRTED DRIP EDGE

WITH FACTORY APPLIED TPO FLASHING

WITHOUT CONTINUOUS CLEAT



Fabrication will proceed only after receipt of signed print approval.

Print Approval:

Architect and/or contractor shall verify all dimensions, sizes and quantities. All products to be installed in strict accordance with Carlisle SynTec, Inc.'s printed instructions.

Approved by: _____

Date: _____

MATERIAL:

24 Ga. Galv. Steel Carlisle TPO Coated

COLOR:

White

QUANTITIES:

_____ Lineal Feet (12'-0" Lengths)

_____ Outside Miters @ (_____)° (TPO Flashing Not Included)

_____ Inside Miters @ (_____)° (TPO Flashing Not Included)

PROJECT:

ARCHITECT:

ROOFING CONTRACTOR:

REPRESENTATIVE/DISTRIBUTOR:

Customer Service
866-458-3537
(Metal-Era)



DATE: 03/12/15

DRN BY: JJC

CKD BY: SAK

SHT.# ____ OF ____

DWG# 15010-21293

A