

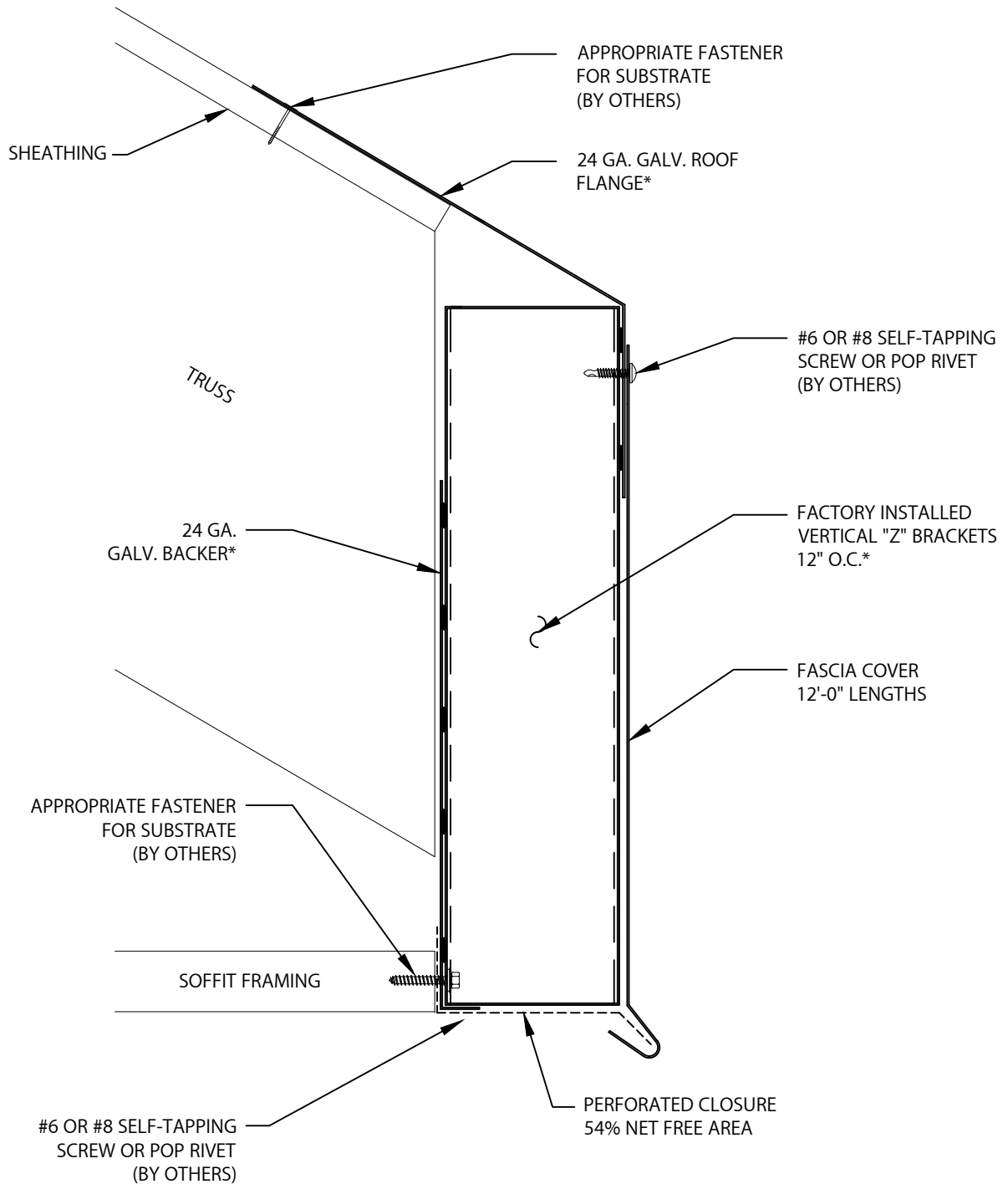
HI-PERF VENTED FASCIA

ATTIC VENTED VERSION

INSTALLATION INSTRUCTIONS

PATENT #7,721,489

TYPICAL FASCIA INSTALLATION



Phone: 800-558-2162
 Fax: 800-770-3934
 www.metalera.com

DATE: 09/12/22

SHT.# 1 OF 8

DRN BY: MLM

CKD BY: MM

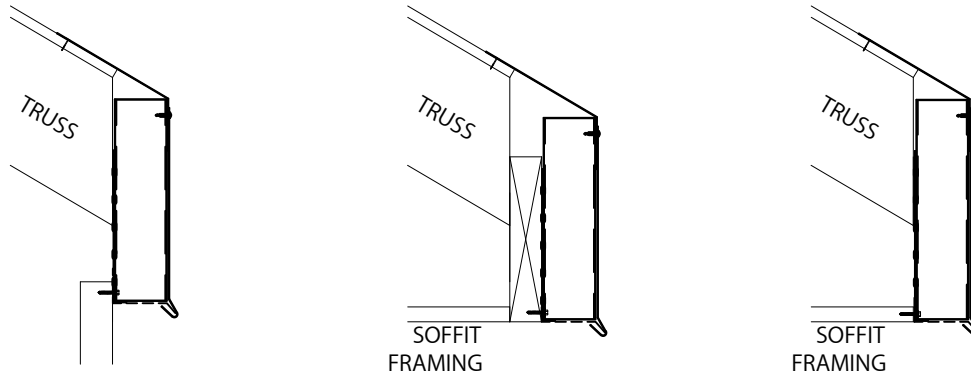
DWG# 31127-7040

*BACKER ASSEMBLY (FACTORY ASSEMBLED 24 GA. GALV. ROOF FLANGE, 24 GA. GALV. BACKER, PERFORATED CLOSURE AND VERTICAL "Z" BRACKETS 12" O.C.)

HI-PERF VENTED FASCIA

ATTIC VENTED VERSION

INSTALLATION INSTRUCTIONS

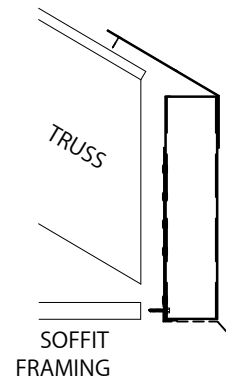
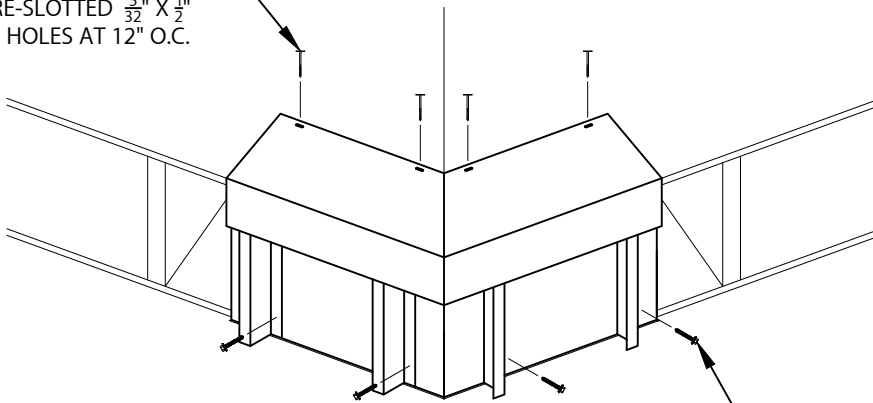


1. SUBSTRATE

SUBSTRATE MUST BE CONTINUOUS, FLAT, VERTICAL, AND ABLE TO SUPPORT FASTENERS WITH A MINIMUM 240 LB. PULL-OUT. EXAMPLES - ATTACHING FLUSH TO A WALL, TO A WOOD SUBSTRATE, TO SOFFIT FRAMING.

HI-PERF VENTED FASCIA IS NOT INTENDED FOR ATTACHMENT TO OPEN ENDED METAL TRUSS OR METAL BAR JOIST APPLICATIONS.

APPROPRIATE FASTENER
FOR SUBSTRATE USING
PRE-SLOTTED $\frac{5}{32}$ " X $\frac{1}{2}$ "
HOLES AT 12" O.C.



APPROPRIATE FASTENER FOR
SUBSTRATE ON EVERY VERTICAL "Z"
BRACKET THROUGH VERTICAL "Z"
BRACKETS AND BACKER

2A. MITER BACKER ASSEMBLY ATTACHMENT - EAVE TO EAVE OUTSIDE MITER SHOWN

ALIGN THE BACK OF THE BACKER ASSEMBLY WITH THE END OF THE TRUSS. ALIGN THE TOP OF THE BACKER ASSEMBLY WITH THE TOP OF THE SHEATHING. ATTACH THE ROOF FLANGE OF THE BACKER ASSEMBLY TO THE TOP OF THE SHEATHING WITH AN APPROPRIATE FASTENER FOR THE SUBSTRATE USING THE PRE-SLOTTED $\frac{5}{32}$ " X $\frac{1}{2}$ " HOLES AT 12" O.C. ATTACH THE BACKER ASSEMBLY THROUGH THE VERTICAL "Z" BRACKETS AND BACKER USING APPROPRIATE FASTENER FOR SUBSTRATE ON EVERY VERTICAL "Z" BRACKET.

NOTE: BE SURE TO CHECK AND MAKE SURE THE MITERS ARE PLUMB, LEVEL, AND CENTERED AT THE CORNER. IT MAY BE HELPFUL TO ATTACH THE MITER TO A STRAIGHT PIECE OF THE BACKER ASSEMBLY TO AID IN THE ALIGNMENT PROCESS.



Phone: 800-558-2162
Fax: 800-770-3934
www.metalera.com

DATE: 09/12/22

SHT.# 2 OF 8

DRN BY: MLM

CKD BY: MM

DWG# 31127-7040

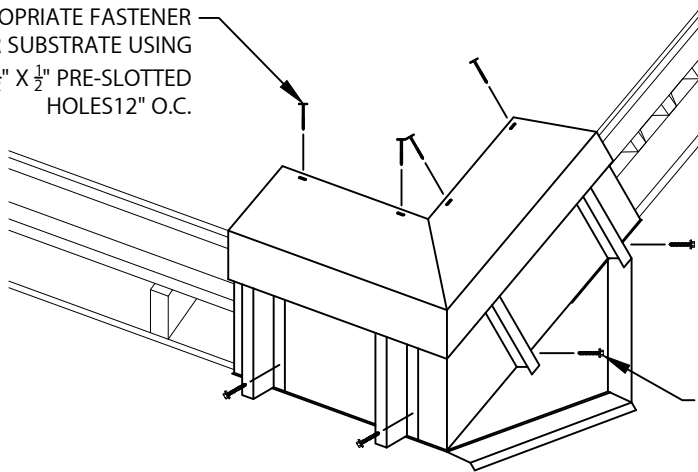
HI-PERF VENTED FASCIA

ATTIC VENTED VERSION

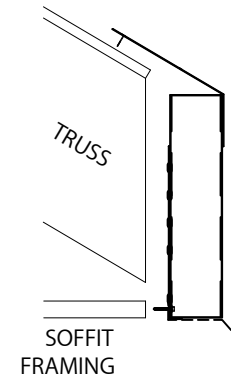
INSTALLATION INSTRUCTIONS

PATENT #7,721,489

APPROPRIATE FASTENER
FOR SUBSTRATE USING
 $\frac{5}{32}$ " X $\frac{1}{2}$ " PRE-SLOTTED
HOLES 12" O.C.



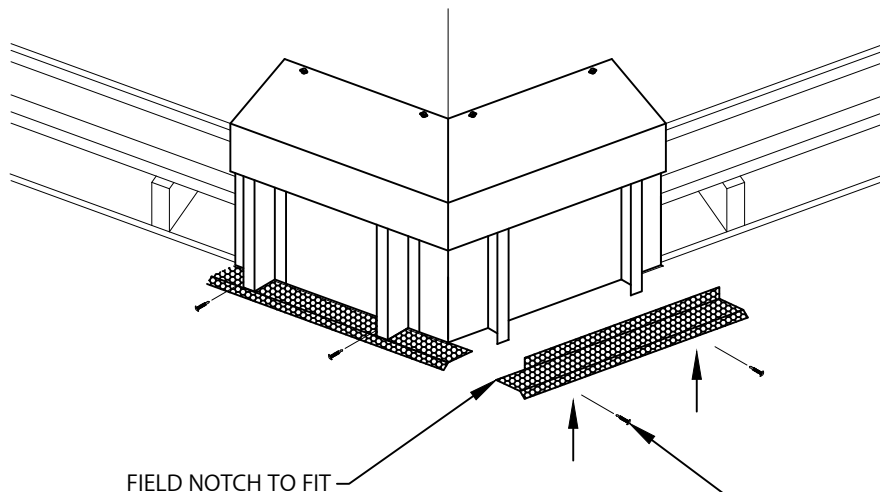
APPROPRIATE FASTENER FOR
SUBSTRATE ON EVERY VERTICAL "Z"
BRACKET THROUGH VERTICAL "Z"
BRACKETS AND BACKER



2B. MITER BACKER ASSEMBLY ATTACHMENT - EAVE TO RAKE OUTSIDE MITER SHOWN

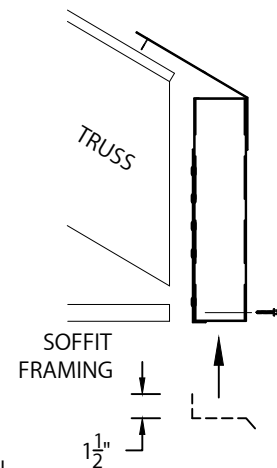
ALIGN THE BACK OF THE BACKER ASSEMBLY WITH THE END OF THE TRUSS. ALIGN THE TOP OF THE BACKER ASSEMBLY WITH THE TOP OF THE SHEATHING. ATTACH THE ROOF FLANGE OF THE BACKER ASSEMBLY TO THE TOP OF THE SHEATHING WITH AN APPROPRIATE FASTENER FOR THE SUBSTRATE USING THE PRE-SLOTTED $\frac{5}{32}$ " X $\frac{1}{2}$ " HOLES AT 12" O.C. ATTACH THE BACKER ASSEMBLY THROUGH THE VERTICAL "Z" BRACKETS AND BACKER USING APPROPRIATE FASTENER FOR SUBSTRATE ON EVERY VERTICAL "Z" BRACKET.

NOTE: BE SURE TO CHECK AND MAKE SURE THE MITERS ARE PLUMB, LEVEL, AND CENTERED AT THE CORNER. IT MAY BE HELPFUL TO ATTACH THE MITER TO A STRAIGHT PIECE OF THE BACKER ASSEMBLY TO AID IN THE ALIGNMENT PROCESS.



FIELD NOTCH TO FIT

#6 OR #8 SELF-TAPPING
SCREW OR POP RIVET ON
EVERY VERTICAL "Z" BRACKET



3. PERFORATED CLOSURE ATTACHMENT

STARTING AT THE CORNER, ALIGN A TRIMMED PIECE OF PERFORATED CLOSURE WITH THE BOTTOM OF THE BACKER ASSEMBLY. NOTE: THE $1\frac{1}{2}$ " VERTICAL TAB OF THE PERFORATED CLOSURE SHOULD BE NOTCHED TO FIT BEHIND THE 24 GA. GALV. BACKER. PLACE FASTENER IN EACH FLANGE OF THE INTERMITTENT SPACER WHICH WILL GO THROUGH THE BACKER AND $1\frac{1}{2}$ " TAB OF THE PERFORATED CLOSURE.

NOTE: MITER OF THE PERFORATED CLOSURE IS DONE IN THE FIELD.



Phone: 800-558-2162
Fax: 800-770-3934
www.metalera.com

DATE: 09/12/22

SHT.# 3 OF 8

DRN BY: MLM

CKD BY: MM

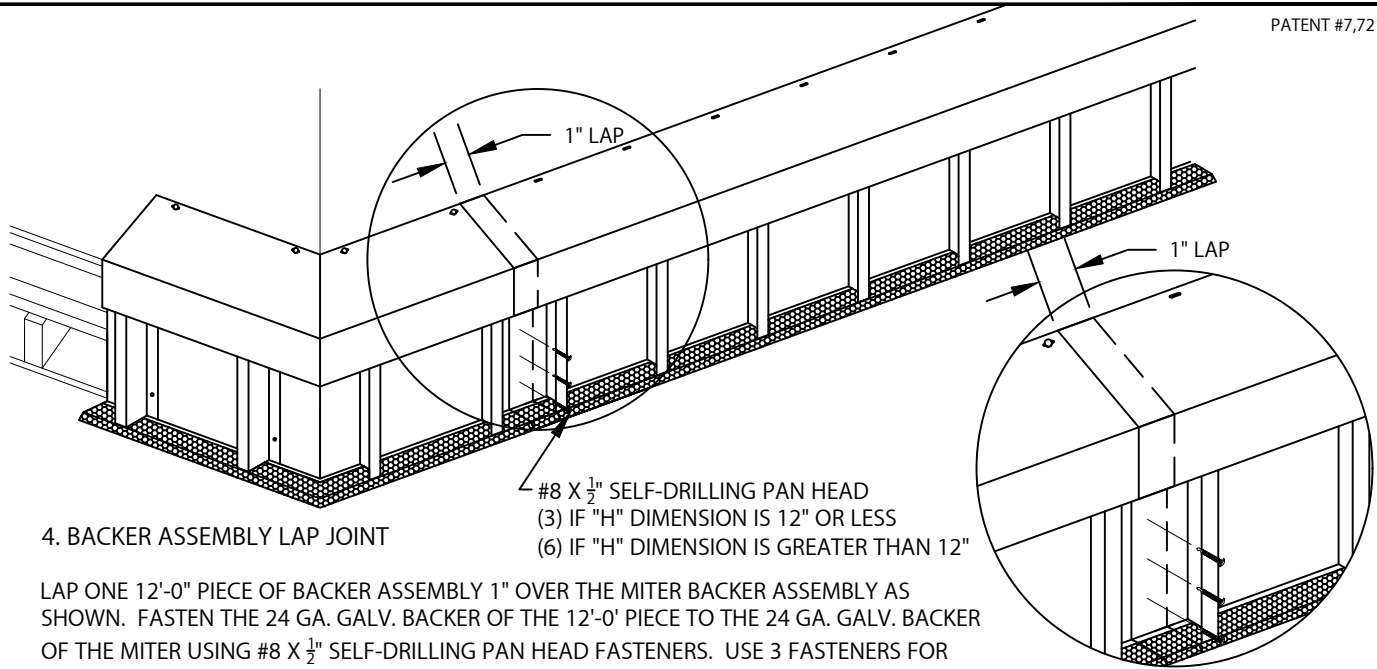
DWG# 31127-7040

HI-PERF VENTED FASCIA

ATTIC VENTED VERSION

INSTALLATION INSTRUCTIONS

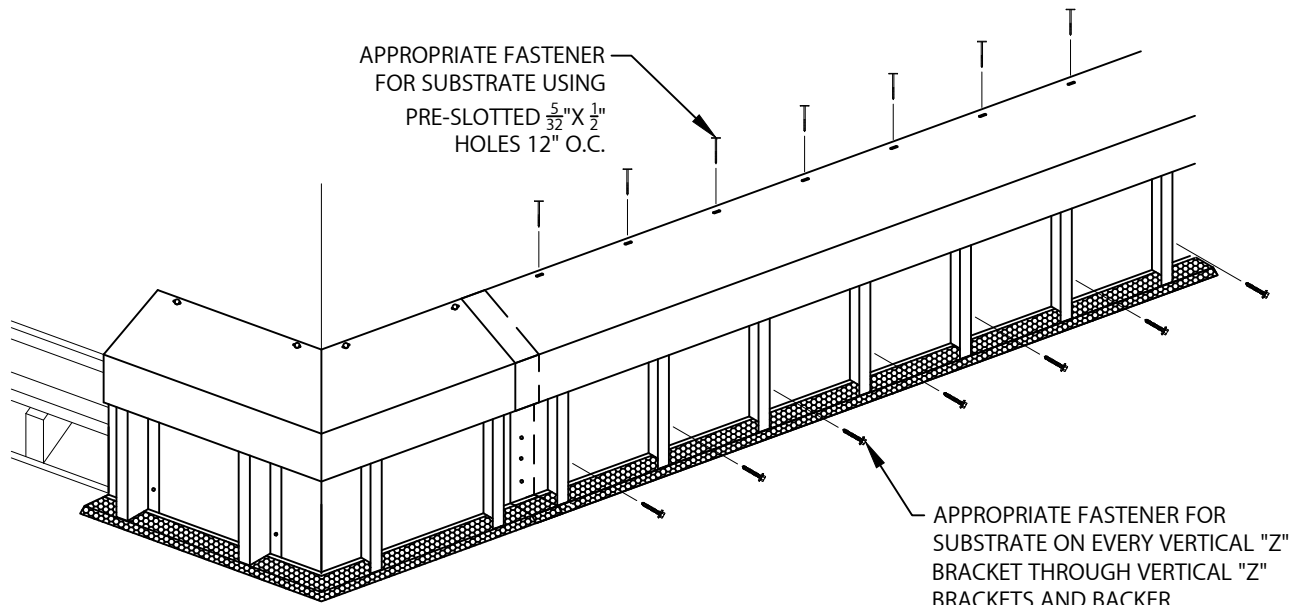
PATENT #7,721,489



4. BACKER ASSEMBLY LAP JOINT

#8 X $\frac{1}{2}$ " SELF-DRILLING PAN HEAD
(3) IF "H" DIMENSION IS 12" OR LESS
(6) IF "H" DIMENSION IS GREATER THAN 12"

LAP ONE 12'-0" PIECE OF BACKER ASSEMBLY 1" OVER THE MITER BACKER ASSEMBLY AS SHOWN. FASTEN THE 24 GA. GALV. BACKER OF THE 12'-0" PIECE TO THE 24 GA. GALV. BACKER OF THE MITER USING #8 X $\frac{1}{2}$ " SELF-DRILLING PAN HEAD FASTENERS. USE 3 FASTENERS FOR "H" DIMENSIONS 12" OR LESS AND 6 FASTENERS FOR "H" DIMENSIONS GREATER THAN 12". FASTENERS CAN BE INSTALLED FROM FRONT TO BACK OR BACK TO FRONT, AS BEST FOR YOUR APPLICATION (FASTENERS SHOWN FROM FRONT TO BACK). NO FASTENERS NECESSARY AT THE CONTINUOUS ROOF FLANGE LAP JOINT.



5. BACKER ASSEMBLY ATTACHMENT

ATTACH THE ROOF FLANGE OF THE BACKER ASSEMBLY TO THE TOP OF THE VENTED NAILBASE WITH AN APPROPRIATE FASTENER FOR THE SUBSTRATE USING THE PRE-SLOTTED $\frac{5}{32}$ " X $\frac{1}{2}$ " 12" HOLES AT 12" O.C. ATTACH THE BACKER ASSEMBLY THROUGH THE VERTICAL "Z" BRACKETS AND BACKER USING APPROPRIATE FASTENER FOR SUBSTRATE ON EVERY VERTICAL "Z" BRACKET.



Phone: 800-558-2162
Fax: 800-770-3934
www.metalera.com

DATE: 09/12/22

SHT.# 4 OF 8

DRN BY: MLM

CKD BY: MM

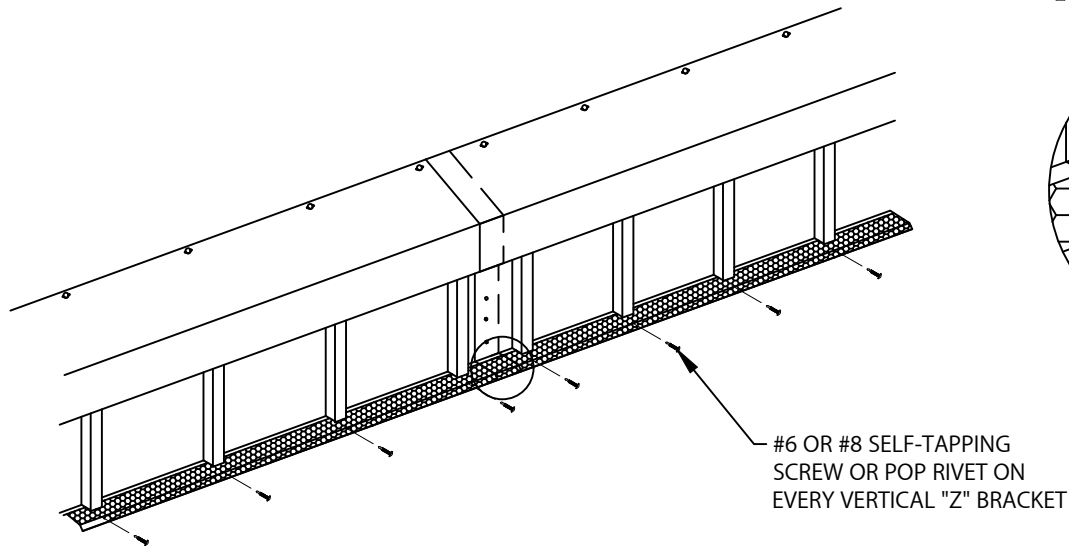
DWG# 31127-7040

HI-PERF VENTED FASCIA

ATTIC VENTED VERSION

INSTALLATION INSTRUCTIONS

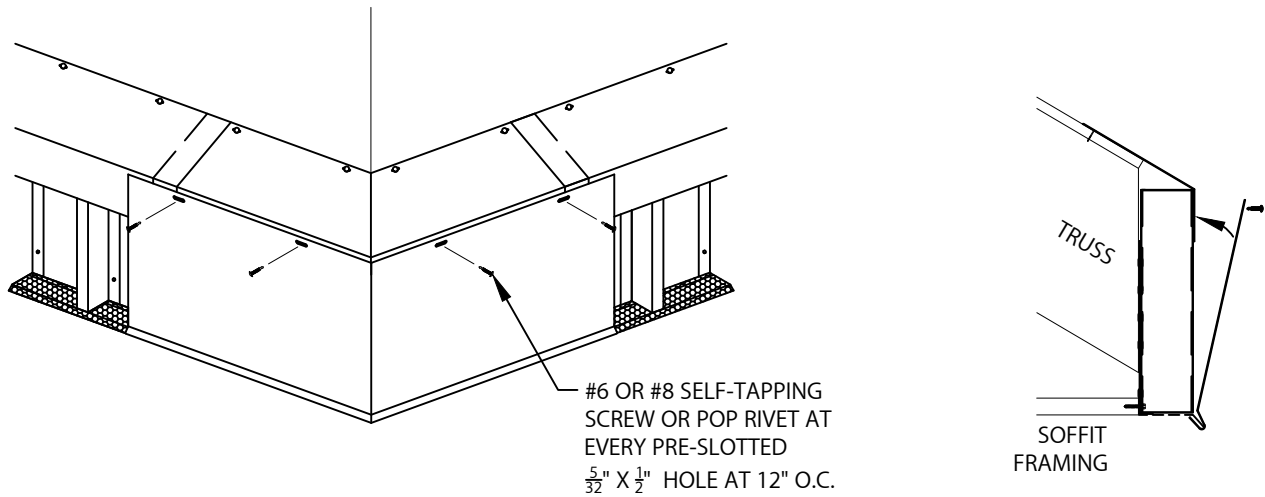
PATENT #7,721,489



6. PERFORATED CLOSURE LAP

LAP ONE 12'-0" PIECE OF PERFORATED CLOSURE 1" OVER THE PIECE OF PERFORATED CLOSURE ALREADY INSTALLED AT THE CORNER AS SHOWN. NO FASTENERS NECESSARY AT LAP JOINT.

CONTINUE WITH STEPS 7A-8 FOR LAP JOINT VERSION
GO TO STEP 9 FOR SPLICE PLATE VERSION



7A. MITER FASCIA COVER ATTACHMENT - EAVE TO EAVE OUTSIDE MITER SHOWN LAP JOINT VERSION

HOOK THE BOTTOM OF THE MITER FASCIA COVER UNDER THE DRIP END OF THE PERFORATED CLOSURE. ROTATE THE MITER FASCIA COVER AND FASTEN THE TOP OF THE MITER FASCIA COVER USING THE PRE-SLOTTED $\frac{5}{32}$ " X $\frac{1}{2}$ " HOLES AT 12" O.C. USING A #6 OR #8 SELF-TAPPING SCREW OR POP RIVET AT EVERY SLOTTED HOLE.



Phone: 800-558-2162
Fax: 800-770-3934
www.metalera.com

DATE: 09/12/22

SHT.# 5 OF 8

DRN BY: MLM

CKD BY: MM

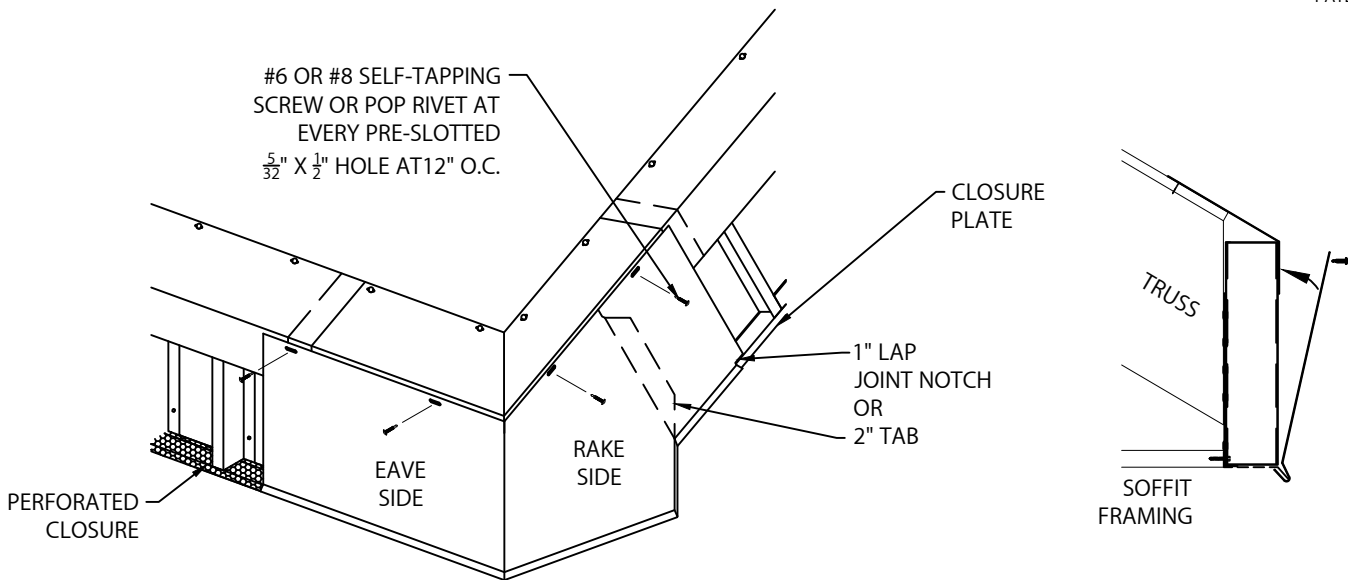
DWG# 31127-7040

HI-PERF VENTED FASCIA

ATTIC VENTED VERSION

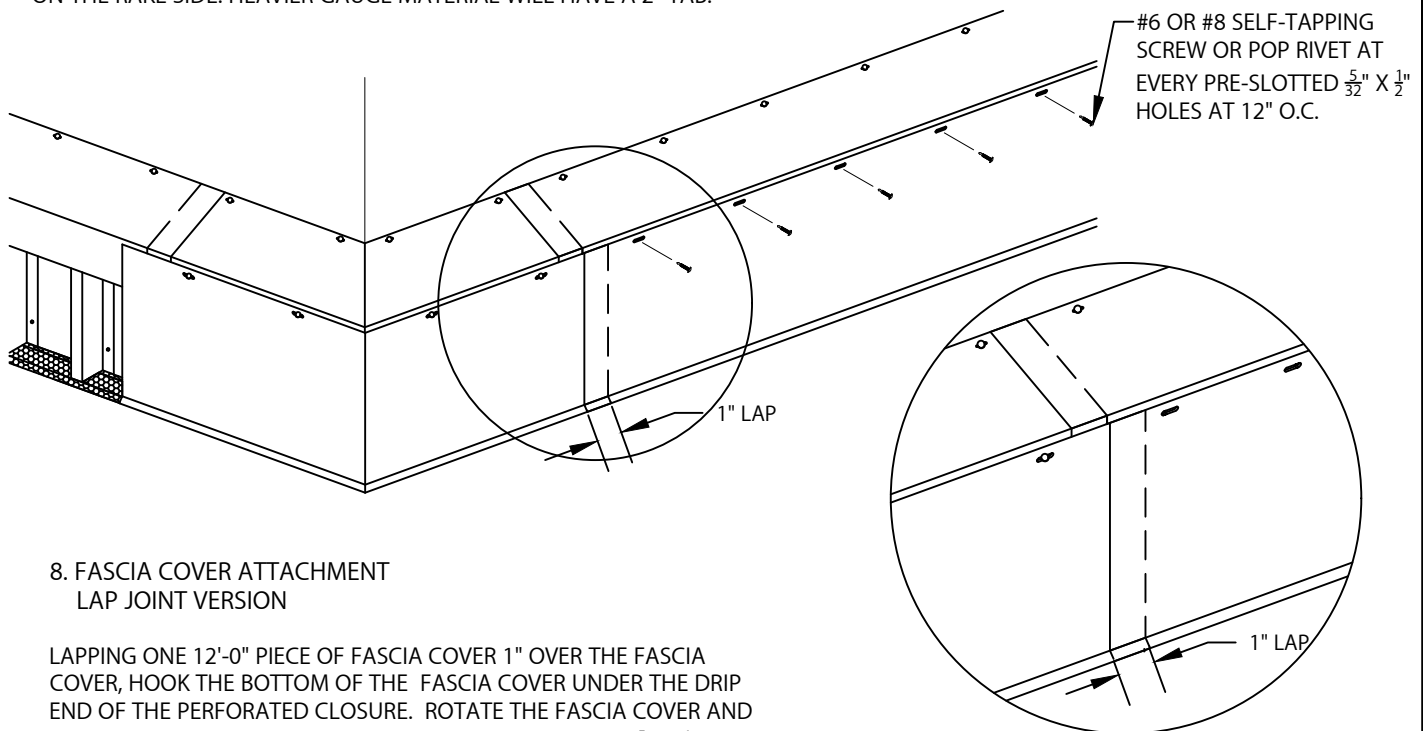
INSTALLATION INSTRUCTIONS

PATENT #7,721,489



7B. MITER FASCIA COVER ATTACHMENT - EAVE TO RAKE OUTSIDE MITER SHOWN LAP JOINT VERSION

HOOK THE BOTTOM OF THE MITER FASCIA COVER UNDER THE DRIP END OF THE PERFORATED CLOSURE AND CLOSURE PLATE. FASTEN THE TOP OF THE MITER FASCIA COVER USING THE PRE-SLOTTED $\frac{5}{32}$ " X $\frac{1}{2}$ " HOLES AT 12" O.C. USING A #6 OR #8 SELF-TAPPING SCREW OR POP RIVET AT EVERY SLOTTED HOLE. LIGHTER GAUGE MATERIAL OR A COVER WITH STIFFENING BAND WILL HAVE A 1" LAP JOINT NOTCH ON THE RAKE SIDE. HEAVIER GAUGE MATERIAL WILL HAVE A 2" TAB.



8. FASCIA COVER ATTACHMENT LAP JOINT VERSION

LAPPING ONE 12'-0" PIECE OF FASCIA COVER 1" OVER THE FASCIA COVER, HOOK THE BOTTOM OF THE FASCIA COVER UNDER THE DRIP END OF THE PERFORATED CLOSURE. ROTATE THE FASCIA COVER AND FASTEN THE TOP OF THE COVER USING THE PRE-SLOTTED $\frac{5}{32}$ " X $\frac{1}{2}$ " HOLES AT 12" O.C. USING A #6 OR #8 SELF-TAPPING SCREW OR POP RIVET AT EVERY SLOTTED HOLE. NO FASTENERS NECESSARY AT THE CONTINUOUS FASCIA COVER LAP JOINT.



Phone: 800-558-2162
 Fax: 800-770-3934
 www.metalera.com

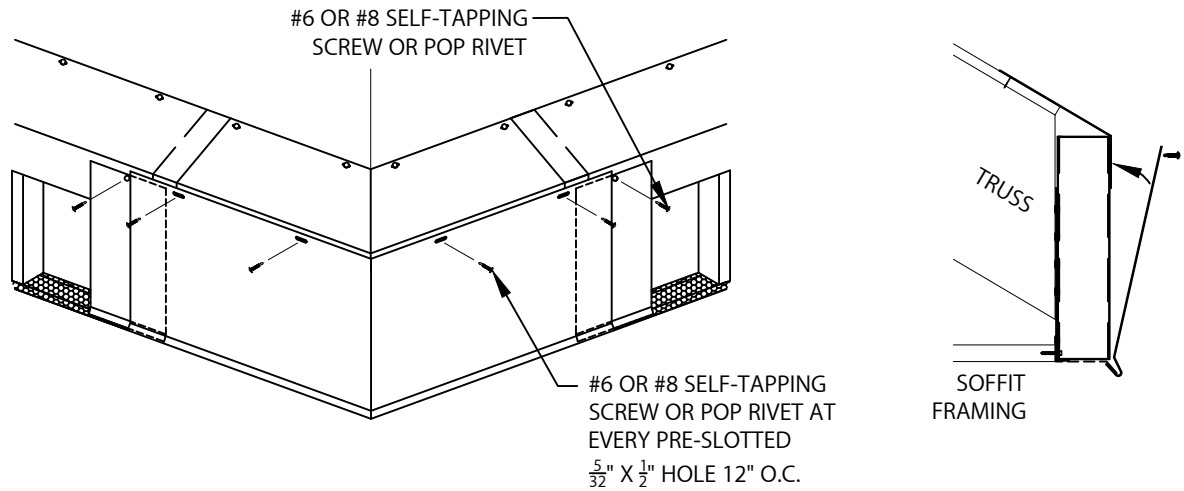
DATE: 09/12/22	SHT.# 6 OF 8
DRN BY: MLM	
CKD BY: MM	DWG# 31127-7040

HI-PERF VENTED FASCIA

ATTIC VENTED VERSION

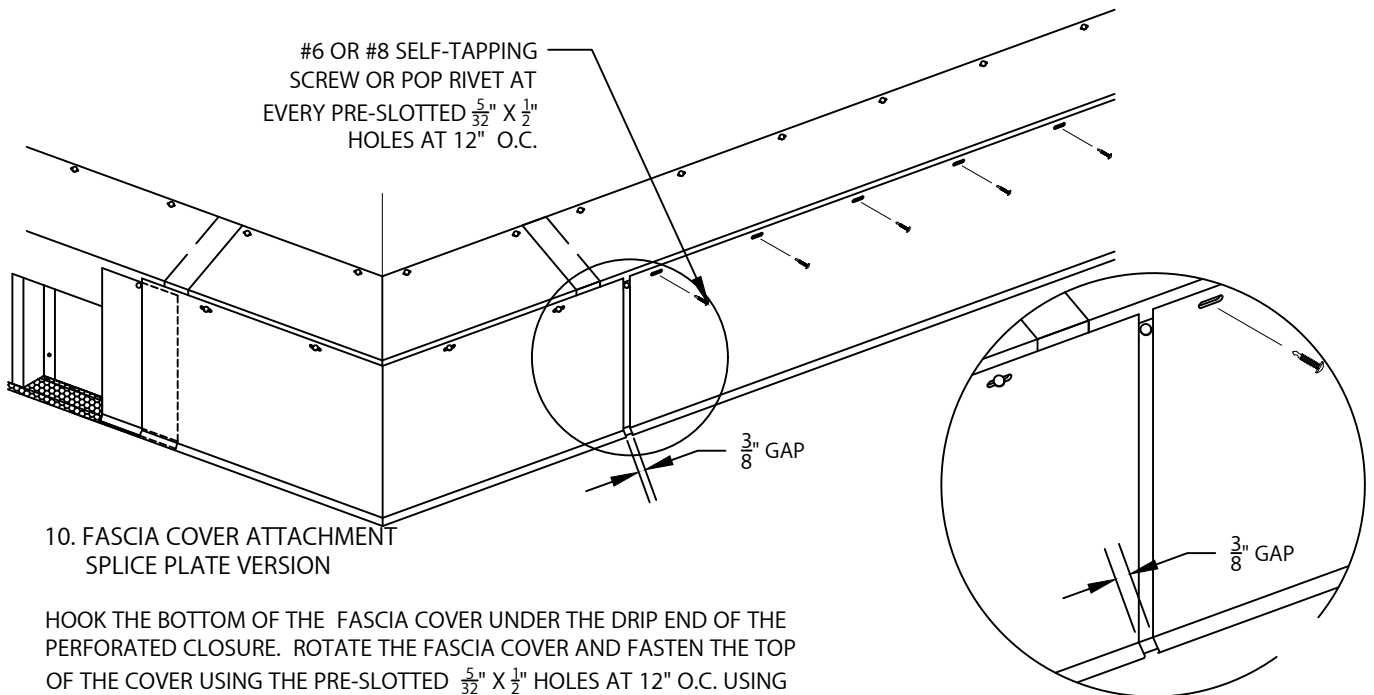
INSTALLATION INSTRUCTIONS

PATENT #7,721,489



9. MITER FASCIA COVER ATTACHMENT - EAVE TO EAVE OUTSIDE MITER SHOWN SPLICE PLATE VERSION

POSITION $3\frac{1}{2}$ " SPLICE PLATE CENTERED BEHIND FASCIA COVER AS SHOWN (MITER FASCIA COVER SHOWN). USING #6 OR #8 SELF-TAPPING SCREW OR POP RIVET FASTEN THE TOP OF THE EXPOSED END OF THE SPLICE PLATE TO THE FACE OF THE CONTINUOUS ROOF FLANGE AS SHOWN. HOOK THE BOTTOM OF THE MITER FASCIA COVER UNDER THE DRIP END OF THE PERFORATED CLOSURE. ROTATE THE MITER FASCIA COVER AND FASTEN THE TOP OF THE MITER FASCIA COVER USING THE PRE-SLOTTED $\frac{5}{32}$ " X $\frac{1}{2}$ " HOLES AT 12" O.C. USING A #6 OR #8 SELF-TAPPING SCREW OR POP RIVET AT EVERY SLOTTED HOLE.



10. FASCIA COVER ATTACHMENT SPLICE PLATE VERSION

HOOK THE BOTTOM OF THE FASCIA COVER UNDER THE DRIP END OF THE PERFORATED CLOSURE. ROTATE THE FASCIA COVER AND FASTEN THE TOP OF THE COVER USING THE PRE-SLOTTED $\frac{5}{32}$ " X $\frac{1}{2}$ " HOLES AT 12" O.C. USING A #6 OR #8 SELF-TAPPING SCREW OR POP RIVET AT EVERY SLOTTED HOLE. LEAVE A $\frac{3}{8}$ " GAP BETWEEN THE FASCIA COVERS TO ALLOW FOR THERMAL EXPANSION.



Phone: 800-558-2162
Fax: 800-770-3934
www.metalera.com

DATE: 09/12/22

SHT.# 7 OF 8

DRN BY: MLM

CKD BY: MM

DWG# 31127-7040

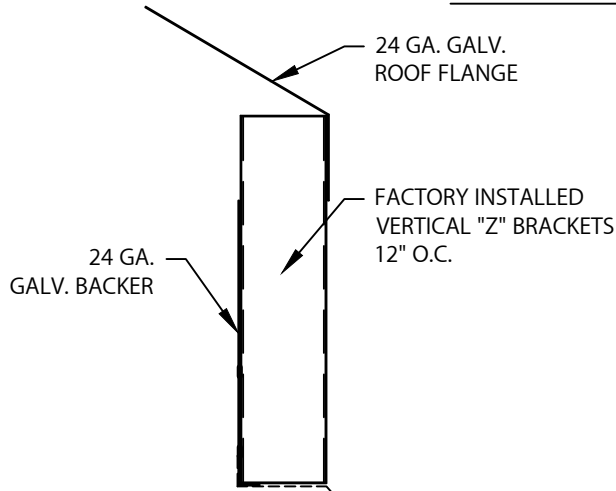
HI-PERF VENTED FASCIA

ATTIC VENTED VERSION

INSTALLATION INSTRUCTIONS

PATENT #7,721,489

TYPICAL COMPONENT LIST



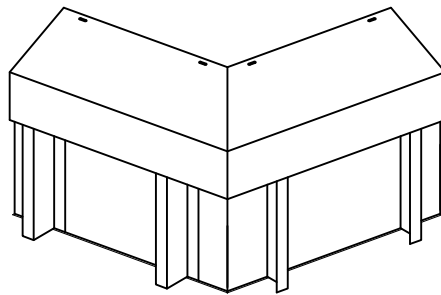
BACKER ASSEMBLY
 12'-0" LENGTHS: FACTORY ASSEMBLED
 24 GA. GALV. ROOF FLANGE, 24 GA.
 GALV. BACKER, 24 GA. GALV.
 PERFORATED CLOSURE AND VERTICAL
 "Z" BRACKETS 12" O.C.



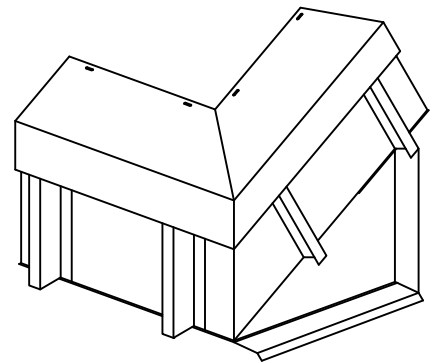
FASCIA COVER
 12'-0" LENGTHS



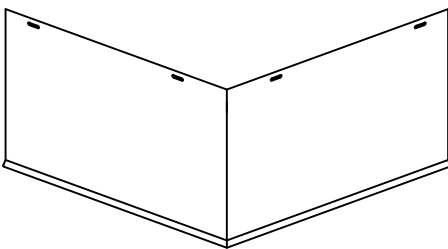
COVER SPLICE PLATE
 3 1/2" LENGTHS
 (WHEN APPLICABLE)



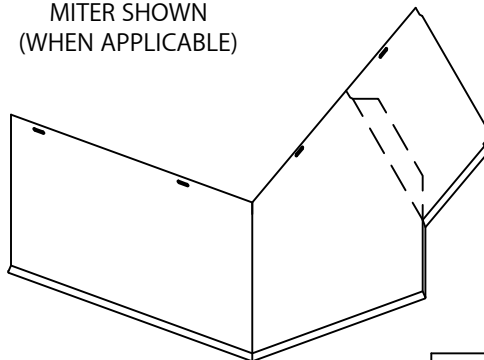
MITER BACKER ASSEMBLY:
 EAVE TO EAVE OUTSIDE
 MITER SHOWN
 (WHEN APPLICABLE)



MITER BACKER ASSEMBLY:
 EAVE TO RAKE OUTSIDE
 MITER SHOWN
 (WHEN APPLICABLE)



MITER FASCIA COVER:
 EAVE TO EAVE OUTSIDE
 MITER SHOWN
 (WHEN APPLICABLE)



MITER FASCIA COVER:
 EAVE TO RAKE OUTSIDE
 MITER SHOWN
 (WHEN APPLICABLE)



Phone: 800-558-2162
 Fax: 800-770-3934
 www.metalera.com

DATE: 09/12/22

SHT.# 8 OF 8

DRN BY: MLM

CKD BY: MM

DWG# 31127-7040