

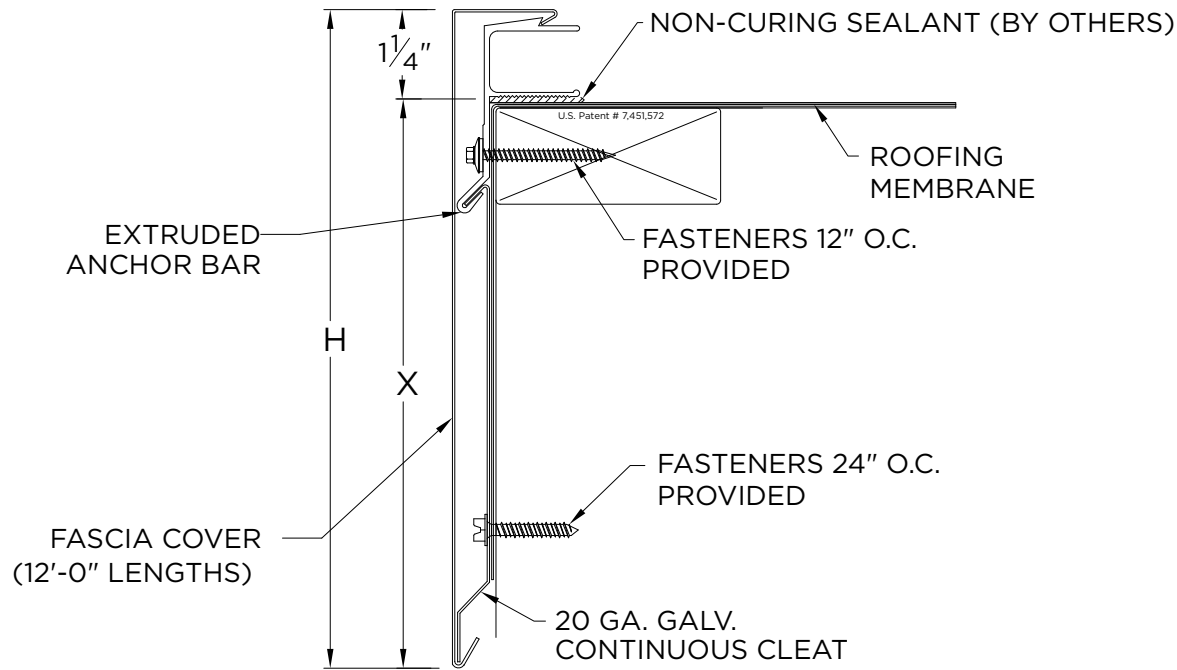


ELEVATE ANCHORGARD® SP EXTENDED FASCIA

FULLY ADHERED OR MECHANICALLY ATTACHED SINGLE-PLY VERSION

NOTES

- Fascia cover provided with splice plates
- For non-90° miters, see separate print approval
- Product should be installed per provided installation instructions
- ANSI/SPRI/FM 4435/ES-1 Test Pressure up to 176 psf.



APPROVALS



ANSI/SPRI/FM 4435/ES-1
Test Pressures listed in notes

PROJECT INFO

Project Name: _____

Architect: _____

Roofing Contractor: _____

Project Type:

By selecting this box you have verified and confirmed that dimensions, sizes, and quantities are correct. All products will be installed in strict accordance with printed instructions.

Date: _____

Elevate

26 Century Blvd.
Suite 205
Nashville, TN 37214
Contact your local
Elevate representative.

SHT# 1 of 1

DATE: 03/20/23

DRN BY: JJC

CKD BY: MM

DWG #: 13010-1082

REV: N

DIMENSIONS

| PRODUCT ID. NO. | H DIM | X DIM | NAILER COVERAGE |
|----------------------------------|---------|---------|-----------------|
| <input type="checkbox"/> AEF-85 | 8 1/2" | 7 1/4" | 4 NAILERS |
| <input type="checkbox"/> AEF-100 | 10" | 8 3/4" | 5 NAILERS |
| <input type="checkbox"/> AEF-115 | 11 1/2" | 10 1/4" | 6 NAILERS |
| <input type="checkbox"/> AEF-130 | 13" | 11 3/4" | 7 NAILERS |

MATERIAL

- 22 Ga. Galv. Steel
 .050" Aluminum
 .063" Aluminum
 OTHER: _____

Color: _____

Finish: _____

Substrate: Wood

Metal
If substrate is not given, wood fasteners will be provided.

QUANTITIES

_____ Lineal Feet (12'-0" Lengths)

_____ Outside Miter (90°)

_____ Inside Miter (90°)

_____ Right Endcaps

_____ Left Endcaps

_____ Right Endwall Flashing

_____ Left Endwall Flashing

_____ Overflow Scupper
Style A Style B

_____ Spillout Scupper
Style A Style B

_____ Downspout Scupper
Style A Style B

Downspout Size _____ x _____

Max. Downspout Size is 5" x 6"

Custom print needed for larger sizes.
Style A=Tapered 1.5" Drop | Style B=Flat