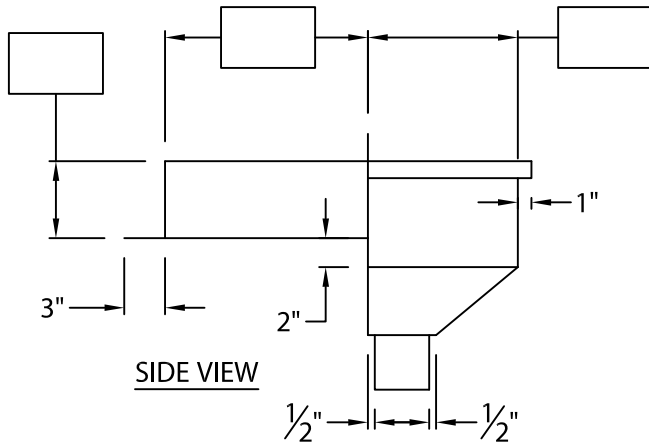
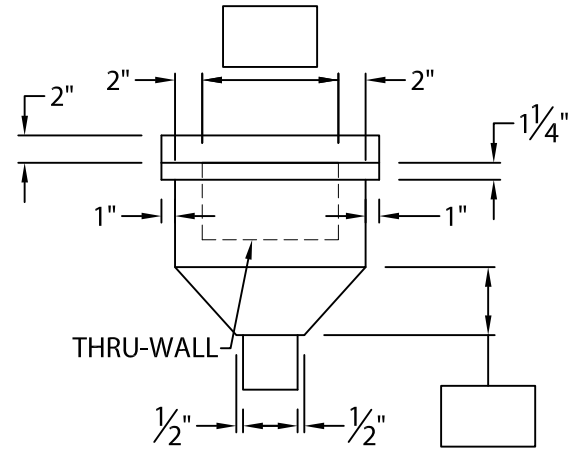


# CUSTOM THRU-WALL SCUPPER

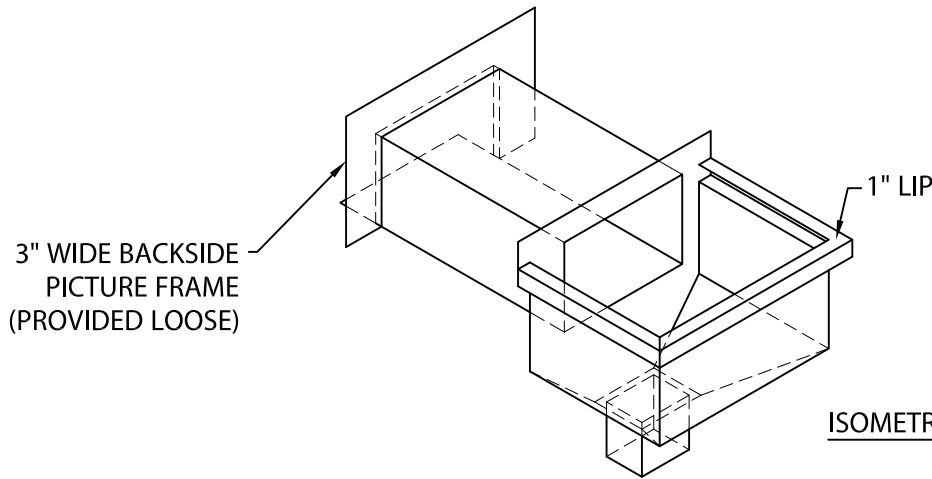
WITH RAISED STYLE 3 COLLECTOR BOX



SIDE VIEW



FRONT VIEW



ISOMETRIC VIEW

NOTE: WELDED

Fabrication will proceed only after receipt of signed print approval.

## Print Approval:

Architect and/or contractor shall verify all dimensions, sizes and quantities. All products to be installed in strict accordance with Metal-Era's printed instructions.

Approved by: \_\_\_\_\_

Date: \_\_\_\_\_

## MATERIAL:

.063" ALUMINUM

COLOR: \_\_\_\_\_

FINISH: \_\_\_\_\_

## QUANTITIES:

\_\_\_\_\_ AMOUNT REQUIRED\*

DOWNSPOUT SIZE \_\_\_\_\_" x \_\_\_\_\_"

\*QUANTITIES OVER 15 REQUIRE AN EXTENDED LEAD TIME DUE TO POST COATING PROCESS.

PROJECT:

ARCHITECT:

ROOFING CONTRACTOR:

REPRESENTATIVE/DISTRIBUTOR:

Corporate Offices, Manufacturing  
1600 Airport Road; Waukesha, WI 53188  
Phone: 800-558-2162  
Fax: 800-373-9156  
www.metalera.com



DATE: 05/20/19

DRN BY: JJC

CKD BY: SAK

SHT.# \_\_\_\_ OF \_\_\_\_

DWG# 11318-21427

C