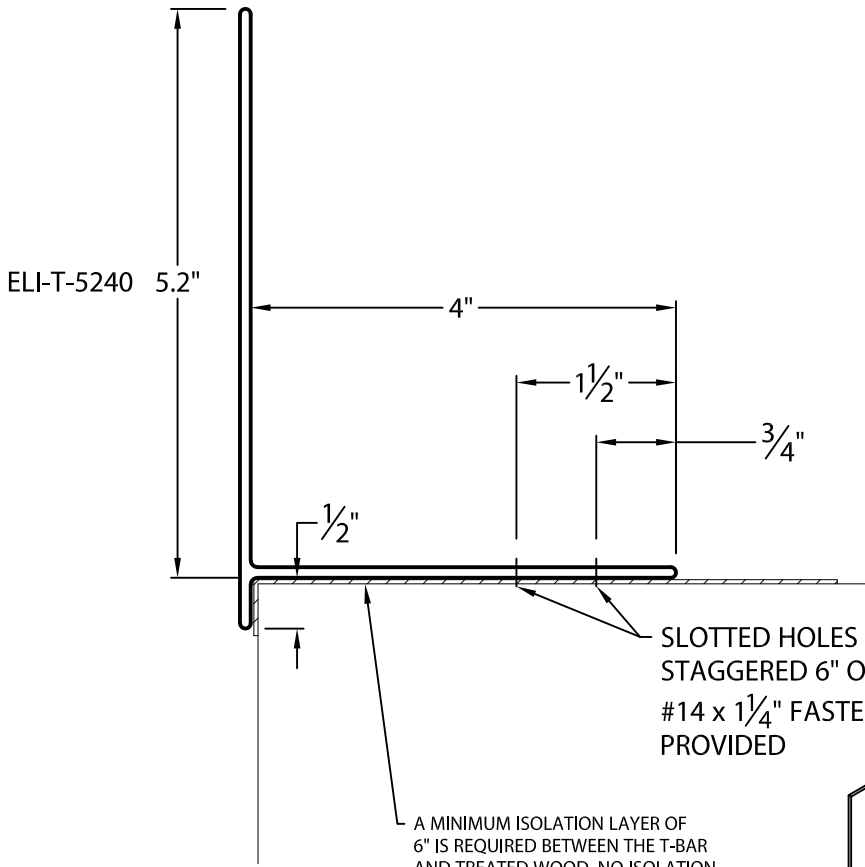


# ELIMINAILER®-T

FOR USE WITH EXISTING WOOD NAILER, 5.2", 4" FLANGE VERSION

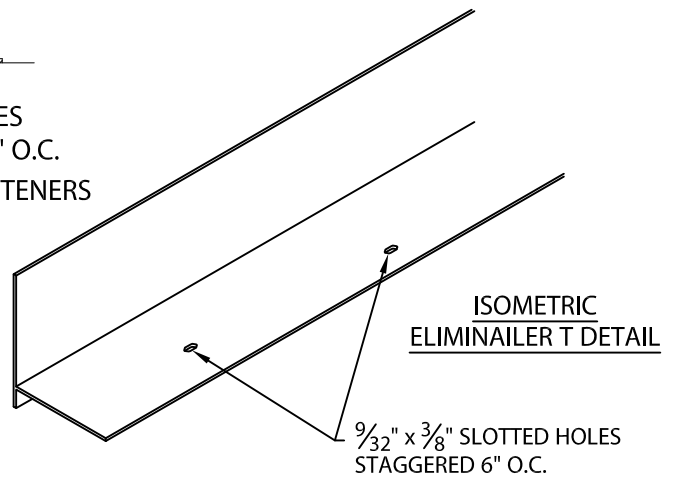
U.S. PATENT # 9,878,023 B1



NOTE: DUE TO SLOTTED HOLE LOCATION A MIN. OF A 2 x 6 NAILER MUST BE USED WITH THIS PRODUCT.

SLOTTED HOLES STAGGERED 6" O.C.  
#14 x 1 1/4" FASTENERS PROVIDED

A MINIMUM ISOLATION LAYER OF 6" IS REQUIRED BETWEEN THE T-BAR AND TREATED WOOD. NO ISOLATION LAYER IS REQUIRED FOR NON-TREATED LUMBER. EXAMPLES OF ISOLATION LAYERS WOULD INCLUDE RUBBER OR PLASTIC STRIPS, PEEL AND STICK MEMBRANE, OR METAL-ERA'S ISOLATION TAPE.



ISOMETRIC ELIMINAILER T DETAIL

Fabrication will proceed only after receipt of signed print approval.

## Print Approval:

Architect and/or contractor shall verify all dimensions, sizes and quantities. All products to be installed in strict accordance with Metal-Era's printed instructions.

Approved by: \_\_\_\_\_

Date: \_\_\_\_\_

### MATERIAL:

.125" EXTRUDED ALUMINUM

### QUANTITIES:

\_\_\_\_\_ LINEAL FEET 12'-0" LENGTHS

\_\_\_\_\_ ROLLS ISOLATION TAPE 6" WIDE (180 FT PER ROLL)

PROJECT:

ARCHITECT:

ROOFING CONTRACTOR:

REPRESENTATIVE/DISTRIBUTOR:

Corporate Offices, Manufacturing  
1600 Airport Road; Waukesha, WI 53188  
Phone: 800-558-2162  
Fax: 800-373-9156  
www.metalera.com



DATE: 07/22/21

DRN BY: JJC

CKD BY: MM

SHT.# \_\_\_\_ OF \_\_\_\_

DWG# 11018-33076

B