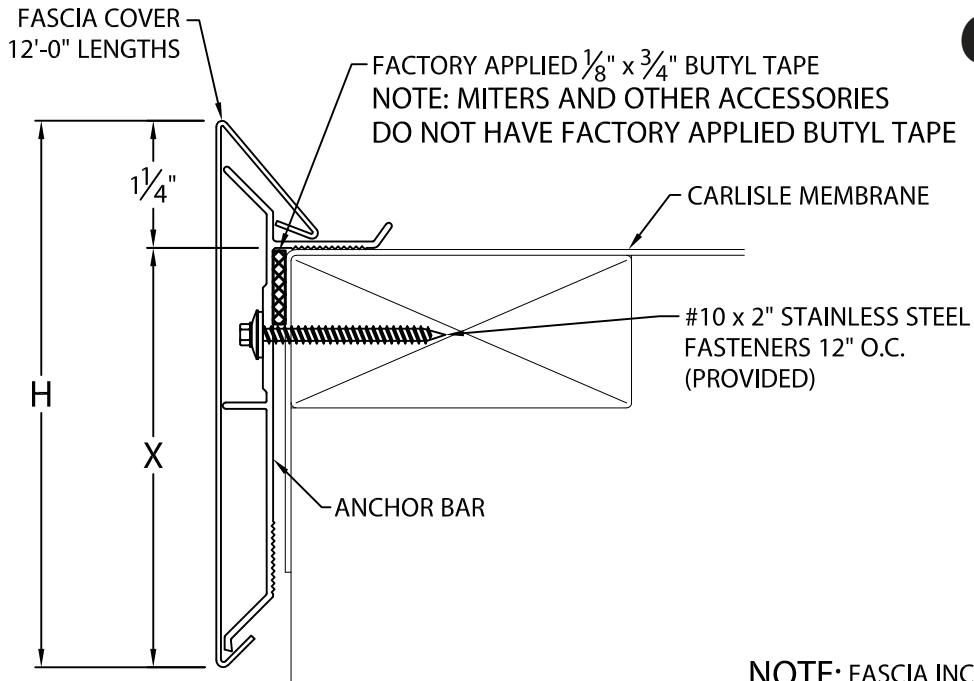




SECUREDGE 2000 FASCIA

FULLY ADHERED OR MECHANICALLY ATTACHED SINGLE-PLY VERSION WITH FACTORY APPLIED BUTYL TAPE

ANSI/SPRI ES-1 DESIGN PRESSURE OF 275 psf



NOTE: FASCIA INCLUDES 1" NOTCH
LAP AT ALL JOINTS

SECUREDGE 2000 FASCIA DIMENSIONS

PRODUCT ID. NO.	H DIM	X DIM	NAILER COVERAGE
<input type="checkbox"/> AF-40	4"	2 3/4"	1 NAILER
<input type="checkbox"/> AF-55	5 1/2"	4 1/4"	2 NAILERS
<input type="checkbox"/> AF-70	7"	5 3/4"	3 NAILERS
<input type="checkbox"/> AF-85	8 1/2"	7 1/4"	4 NAILERS

Fabrication will proceed only after receipt of signed print approval.

Print Approval:

Architect and/or contractor shall verify all dimensions, sizes and quantities. All products to be installed in strict accordance with Carlisle SynTec, Inc.'s printed instructions.

Approved by: _____

Date: _____

MATERIAL:

___ 24 GA. GALV. STEEL
___ .040" ALUMINUM
___ OTHER _____

COLOR: _____

FINISH: _____

QUANTITIES:

_____ LINEAL FEET (12'-0" LENGTHS)
_____ OUTSIDE MITERS @ 90°
_____ INSIDE MITERS @ 90°
_____ OVERFLOW SCUPPER STYLE ___A___B
_____ SPILLOUT SCUPPER STYLE ___A___B
_____ DOWNSPOUT SCUPPER STYLE ___A___B
(___x___) SIZE A: TAPERED 1 1/2" DROP
B: FLAT

FOR NON-90 MITERS SEE PRINT APPROVAL #15010-1625

PROJECT: _____

ARCHITECT: _____

ROOFING CONTRACTOR: _____

REPRESENTATIVE/DISTRIBUTOR: _____

Customer Service
866-458-3537
(Metal-Era)



DATE: 02/24/20

DRN BY: JJC

CKD BY: JAI

SHT.# ___ OF ___

DWG# 15010-33480 A