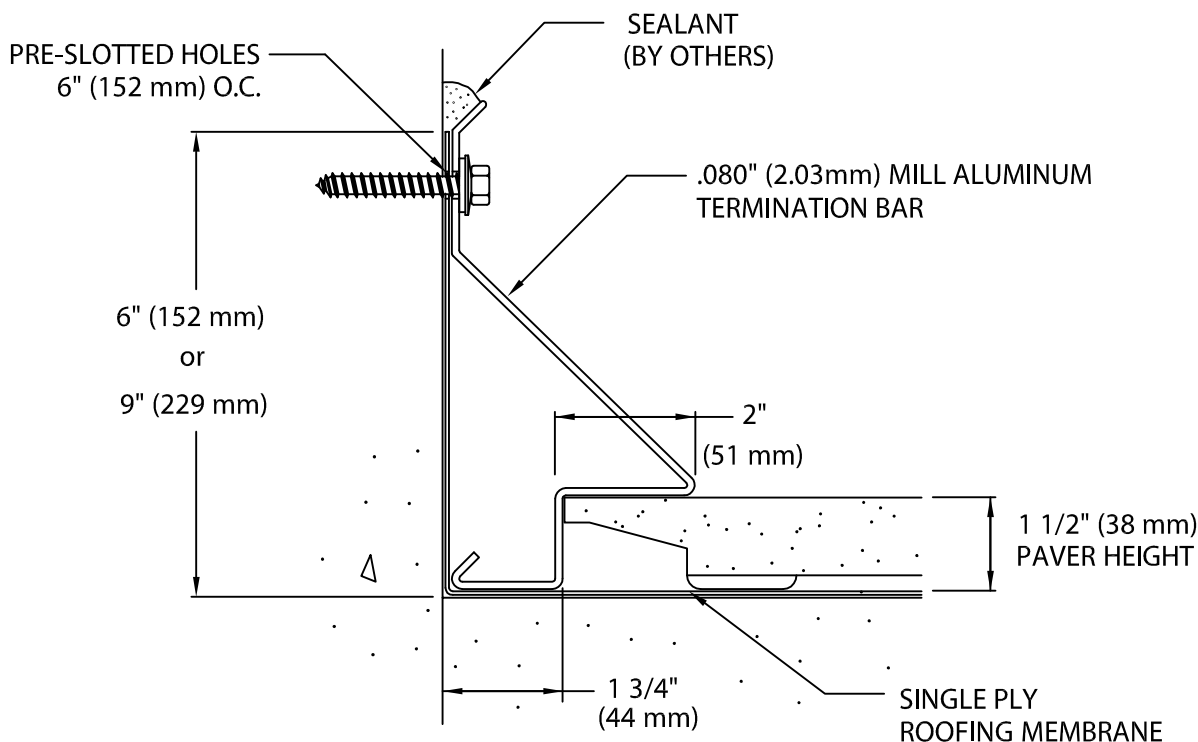


WL-600 PAVER TERMINATION BAR

WESTILE BALLAST PAVER VERSION



Includes cover plates .040" (1.02 mm) thick aluminum 3 1/2" (88.9 mm) wide.

Termination Bar is to be installed per Specifications and Metal-Era's Installation Instructions Dwg. # 11116-1783

NOTE: Fasteners by others. Use appropriate fasteners as recommended by membrane manufacturer to maintain constant compression seal.

Fabrication will proceed only after receipt of signed print approval.

Print Approval:

Architect and/or contractor shall verify all dimensions, sizes and quantities. All products to be installed in strict accordance with Metal-Era's printed instructions.

Approved by: _____

Date: _____

DIMENSIONS:

___ WL-660 - 6" (152.4 mm)

___ WL-690 - 9" (228.6 mm)

QUANTITIES:

_____ Lineal Feet (12'-0" [3.65 M] Lengths)

_____ Welded Outside Miters (_____°)

_____ Welded Inside Miters (_____°)

PROJECT:

ARCHITECT:

ROOFING CONTRACTOR:

REPRESENTATIVE/DISTRIBUTOR:

Corporate Offices, Manufacturing
1600 Airport Road; Waukesha, WI 53188
Phone: 800-558-2162
Fax: 800-373-9156
www.metalera.com



DATE: 10/11/05

DRN BY: DWP

CKD BY: SAK

SHT.# ___ OF ___

DWG# 11016-1782

A