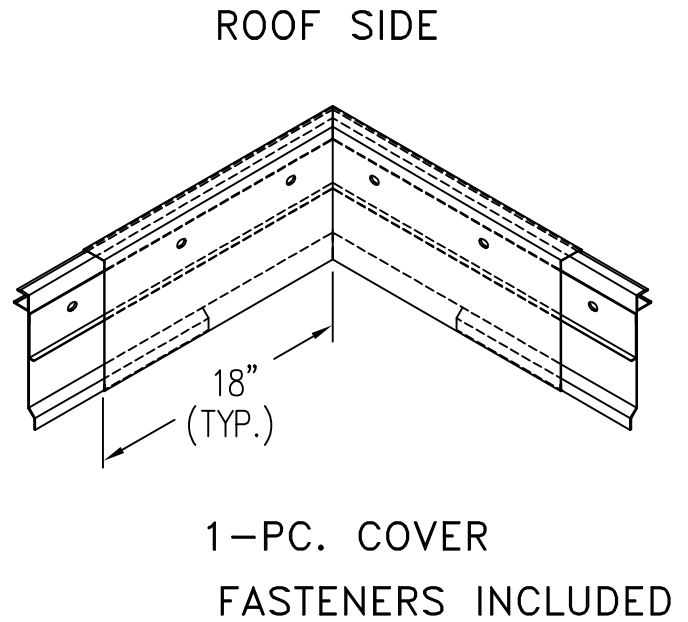
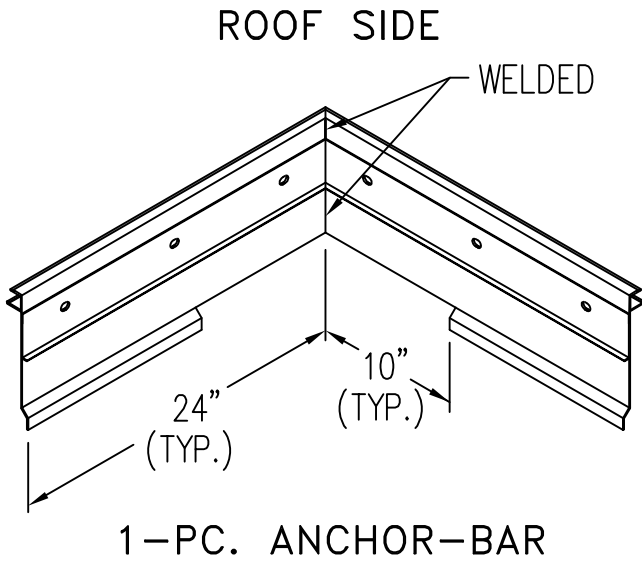


# FIBERTITE AT HG FASCIA

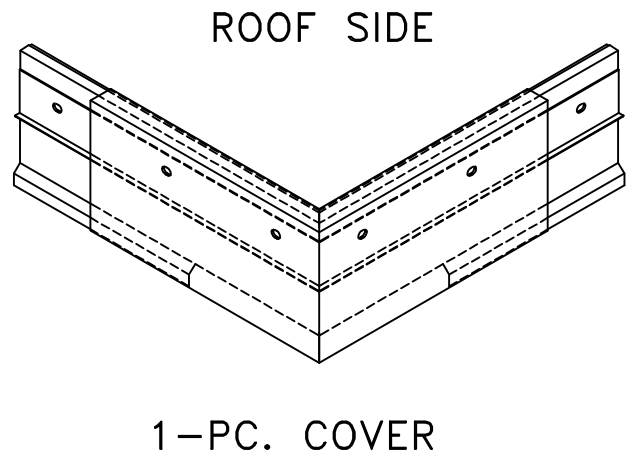
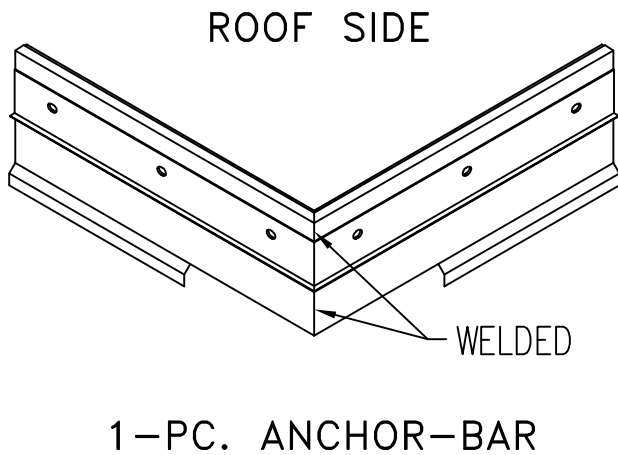
FOR .050" & .063" ALUM. COVERS & FULLY ADHERED OR MECHANICALLY ATTACHED SINGLE-PLY ROOF SYSTEMS

MITERS - FACTORY WELDED CONSTRUCTION

## INSIDE MITER



## OUTSIDE MITER



NOTE: WOOD NAILERS REQUIRED.

PROJECT	Customer Service 1-800-355-6416
ARCHITECT	
ROOFING CONTRACTOR	
REPRESENTATIVE/DISTRIBUTOR	



DATE: 04/13/07	SHT.# ___ OF ___
DRN BY: JJC	DWG# 23510-5585
CKD BY: SAK	