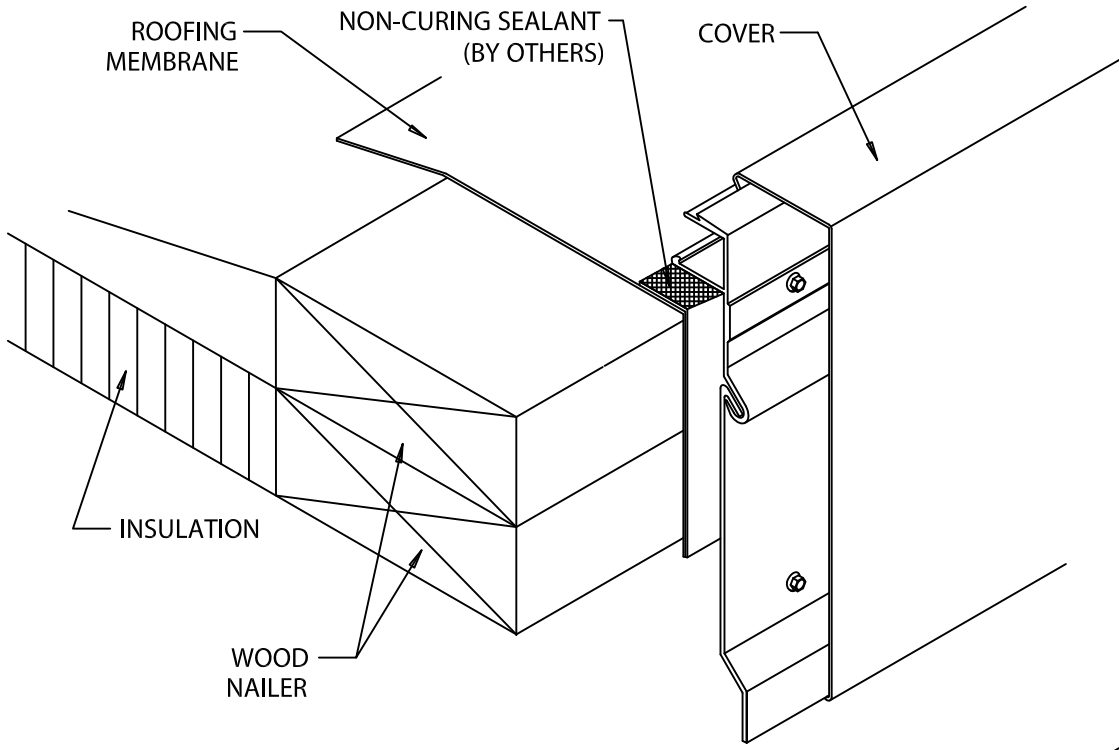




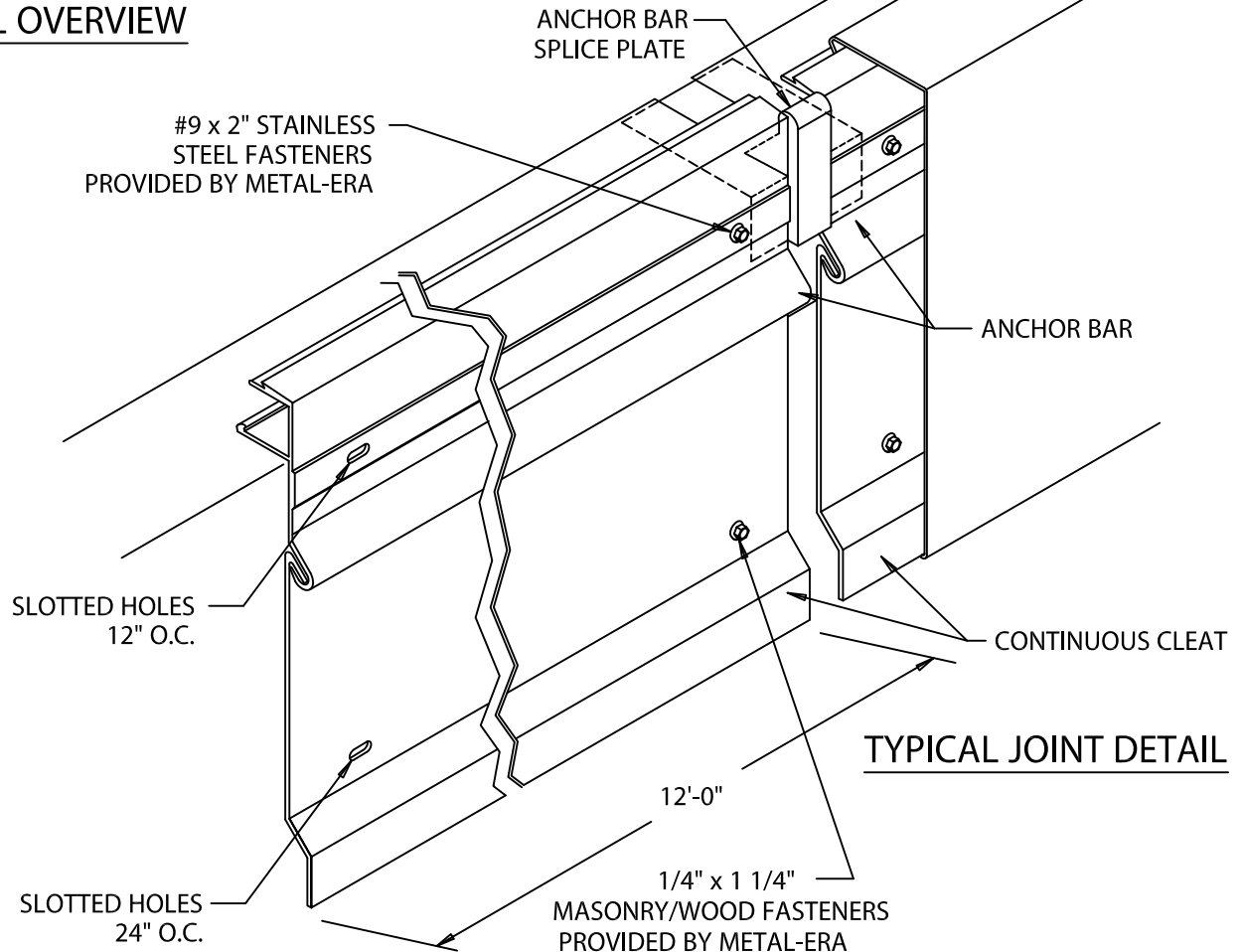
ANCHOR-TITE EXTENDED FASCIA

FULLY ADHERED OR MECHANICALLY ATTACHED SINGLE-PLY VERSION

DETAILS



TYPICAL OVERVIEW



TYPICAL JOINT DETAIL



Phone: 800-558-2162
Fax: 800-373-9156
www.metalera.com

DATE: 03/15/17
DRN BY: JAB
CKD BY: SAK

SHT.# ___ OF ___
DWG# 11510-1443

D