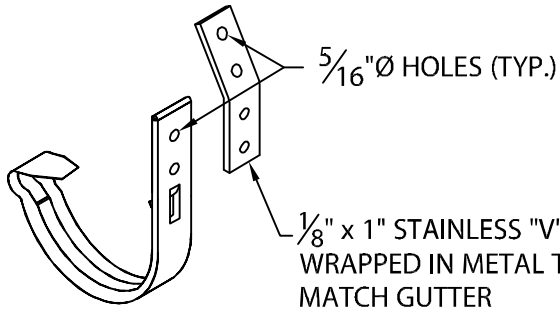
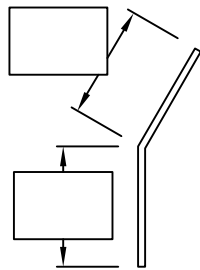


SEAL-TITE LT HALF ROUND GUTTER

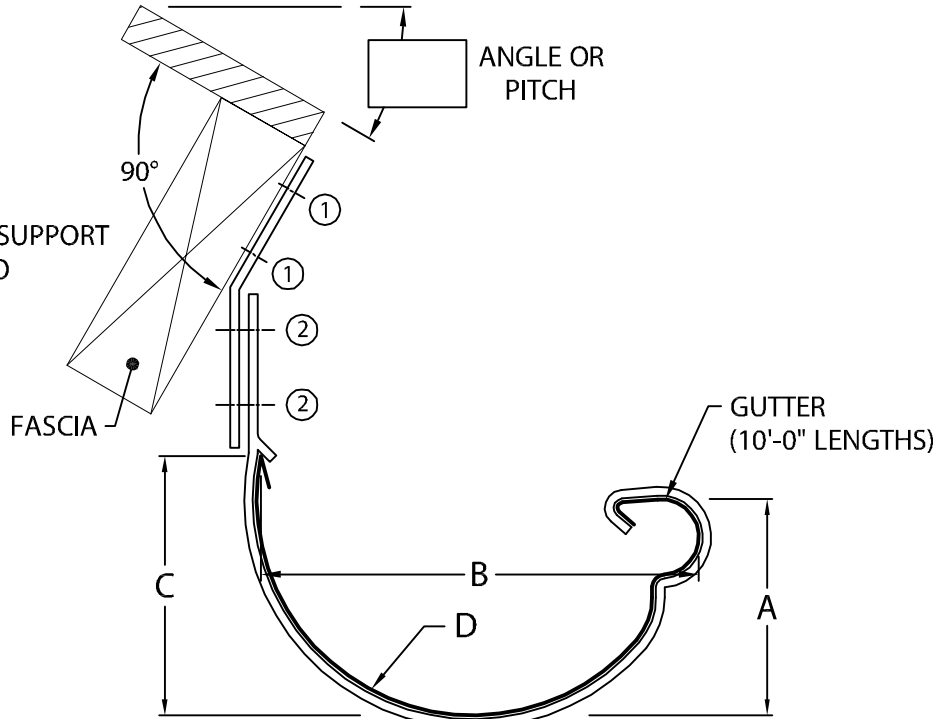
NON-VERTICAL FASCIA WITH "V" SUPPORT VERSION



EXTERNAL GUTTER BRACKET DETAIL



"V" SUPPORT DETAIL



3/16" x 1" STAINLESS BRACKET WRAPPED IN METAL TO MATCH GUTTER
 5"Ø & 6"Ø - 36" O.C.
 7"Ø, 8"Ø, 9"Ø & 10"Ø - 24" O.C.

GUTTER DIAMETER	A	B	C	D
<input type="checkbox"/> 5"Ø (3)	2½"	5¼"	3"	2½" RADIUS
<input type="checkbox"/> 6"Ø	3"	6¼"	3½"	3" RADIUS
<input type="checkbox"/> 7"Ø	3½"	7¼"	4"	3½" RADIUS
<input type="checkbox"/> 8"Ø	4"	8¼"	4½"	4" RADIUS
<input type="checkbox"/> 9"Ø	4½"	9¼"	5"	4½" RADIUS
<input type="checkbox"/> 10"Ø	5"	10¼"	5½"	5" RADIUS

- ① #10 x 1½" STAINLESS STEEL FASTENERS (PROVIDED)
- ② STOVE BOLTS (PROVIDED)
- ③ THIS SIZE NOT AVAILABLE IN 22 GA. GALV. STEEL OR .050" ALUM.

MATERIAL:

24 GA. GALV. STEEL (4)
 22 GA. GALV. STEEL (3) (4)
 .032" ALUMINUM (4)
 .040" ALUMINUM (4)
 .050" ALUMINUM (3) (5) COLOR: _____
 OTHER _____ FINISH: _____

QUANTITIES:

_____ LINEAL FEET 10'-0" LENGTHS
 _____ OUTSIDE MITERS @ 90°
 _____ INSIDE MITERS @ 90°
 _____ ENDCAPS: RIGHT _____ LEFT _____
 FOR NON-90 MITERS SEE PRINT APPROVAL #11012-25392

NOTES:

- MATERIAL PROVIDED WITH 6" WIDE SPLICE PLATES. (5)
- MATERIAL NEEDS FIELD NOTCHED LAP JOINTS. (4)
- 1/8" STAINLESS STEEL POP RIVETS PROVIDED.
- UNLESS OTHERWISE NOTED, FABRICATION OF MITERS ARE FURNISHED STANDARD UTILIZING POP RIVETS, THEN FACTORY SEALED WATERTIGHT.
- WELDED ACCESSORIES REQUIRE A MINIMUM MATERIAL THICKNESS OF .050".

AUTHORIZED SIGNATURE:

APPROVED BY: _____

DATE:

PROJECT: _____
ARCHITECT: _____
ROOFING CONTRACTOR: _____
REPRESENTATIVE/DISTRIBUTOR: _____

Corporate Offices, Manufacturing
 1600 Airport Road; Waukesha, WI 53188
 Phone: 800-558-2162
 Fax: 800-373-9156
 www.metalera.com



DATE: 01/11/17 SHT.# _____ OF _____
 DRN BY: JJC
 CKD BY: SAK DWG# 11012-25434 **A**