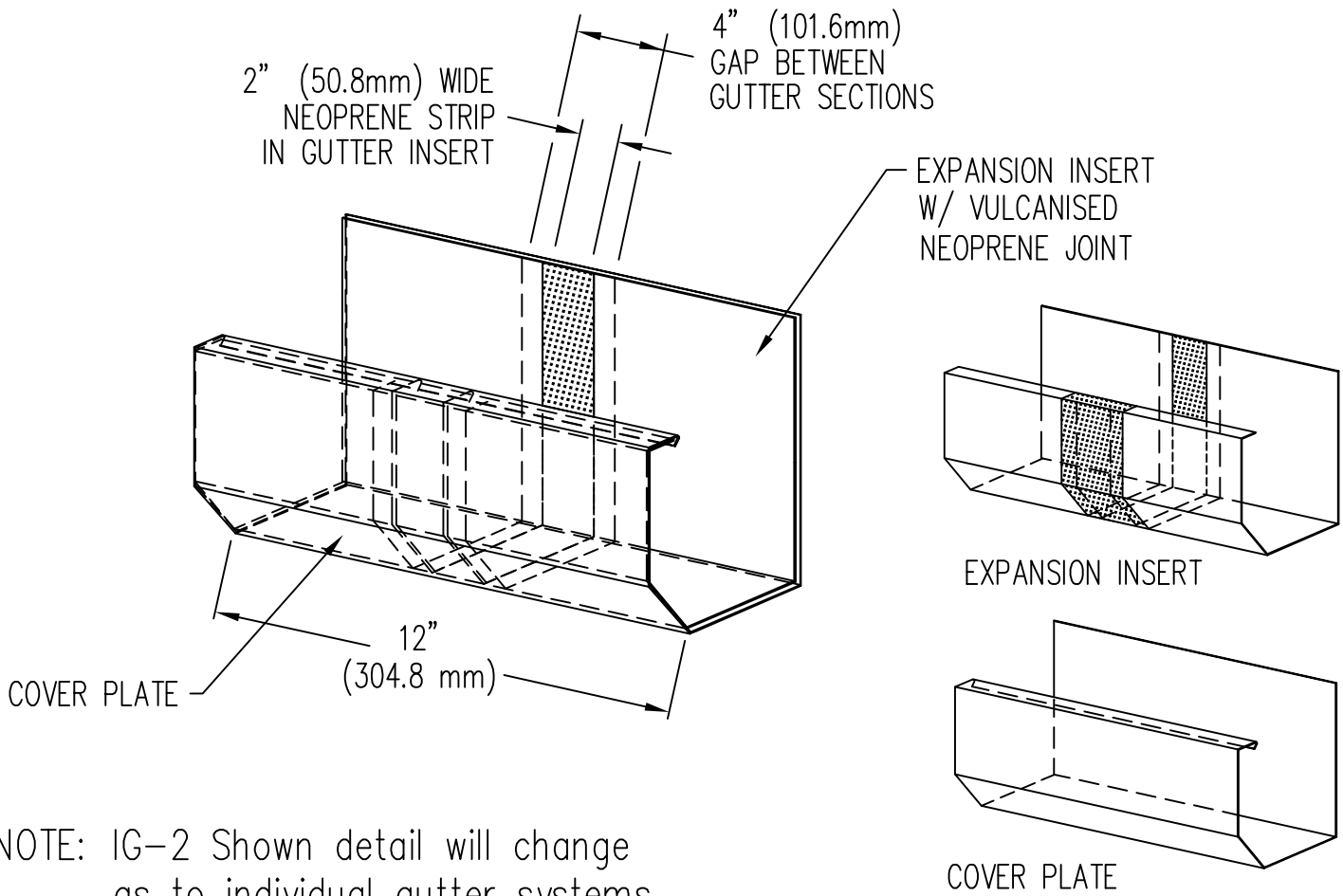


# GUTTER EXPANSION JOINT (STYLE 2)

FOR USE OVER BUILDING CONTROL JOINT

FREE FLOW DESIGN



NOTE: IG-2 Shown detail will change as to individual gutter systems

Expansion Joint is to be installed per Specifications and Carlisle's Installation Instructions Dwg. # 15112-1713

Fabrication will proceed only after receipt of signed print approval.

## Print Approval:

Architect and/or contractor shall verify all dimensions, sizes, and quantities. All products to be installed in strict accordance with Carlisle SynTec, Inc. printed instructions.

Approved by: \_\_\_\_\_

Date: \_\_\_\_\_

## MATERIAL:

- \_\_\_ 24 Ga. (.65 mm) Galv.
- \_\_\_ .040" (1.01 mm) Alum. Color: \_\_\_\_\_
- \_\_\_ .050" (1.27 mm) Alum. Finish: \_\_\_\_\_
- \_\_\_ .063" (1.60 mm) Alum.
- \_\_\_ OTHER \_\_\_\_\_

## QUANTITIES:

\_\_\_\_\_ Quantity Required

PROJECT

ARCHITECT

ROOFING CONTRACTOR

REPRESENTATIVE/DISTRIBUTOR

Customer Service  
888-666-4369  
(Metal-Era)



DATE: 10/05/05

DRN BY: JJC

CKD BY: SAK

SHT.# \_\_\_ OF \_\_\_

DWG# 15012-1729

A