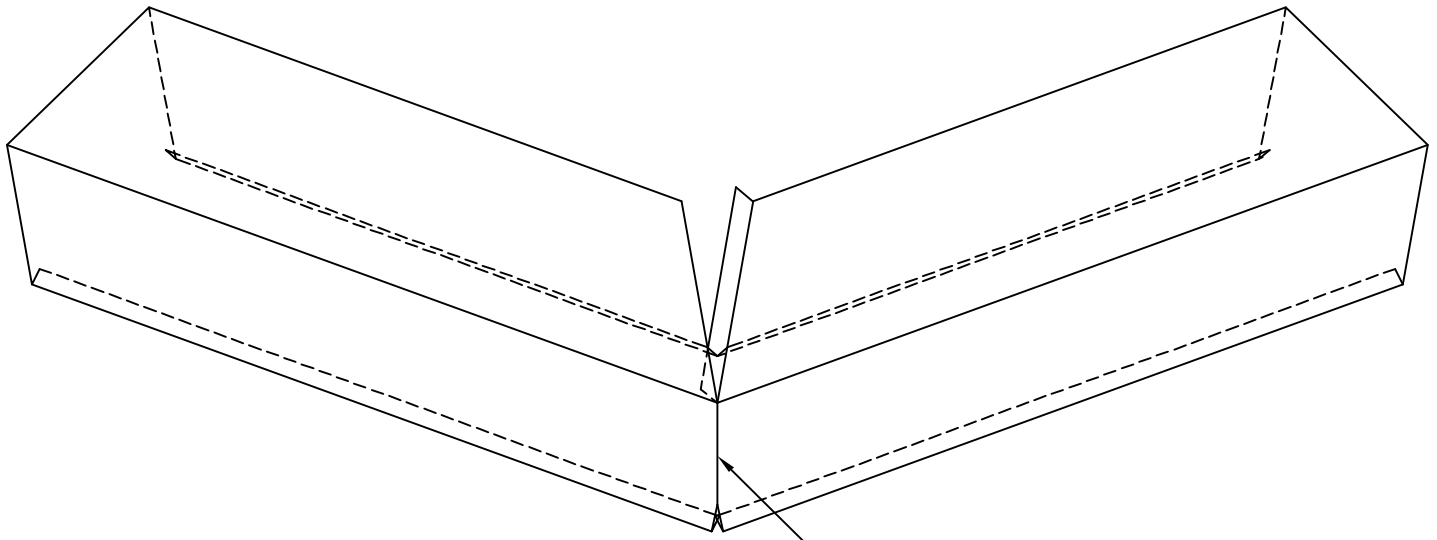
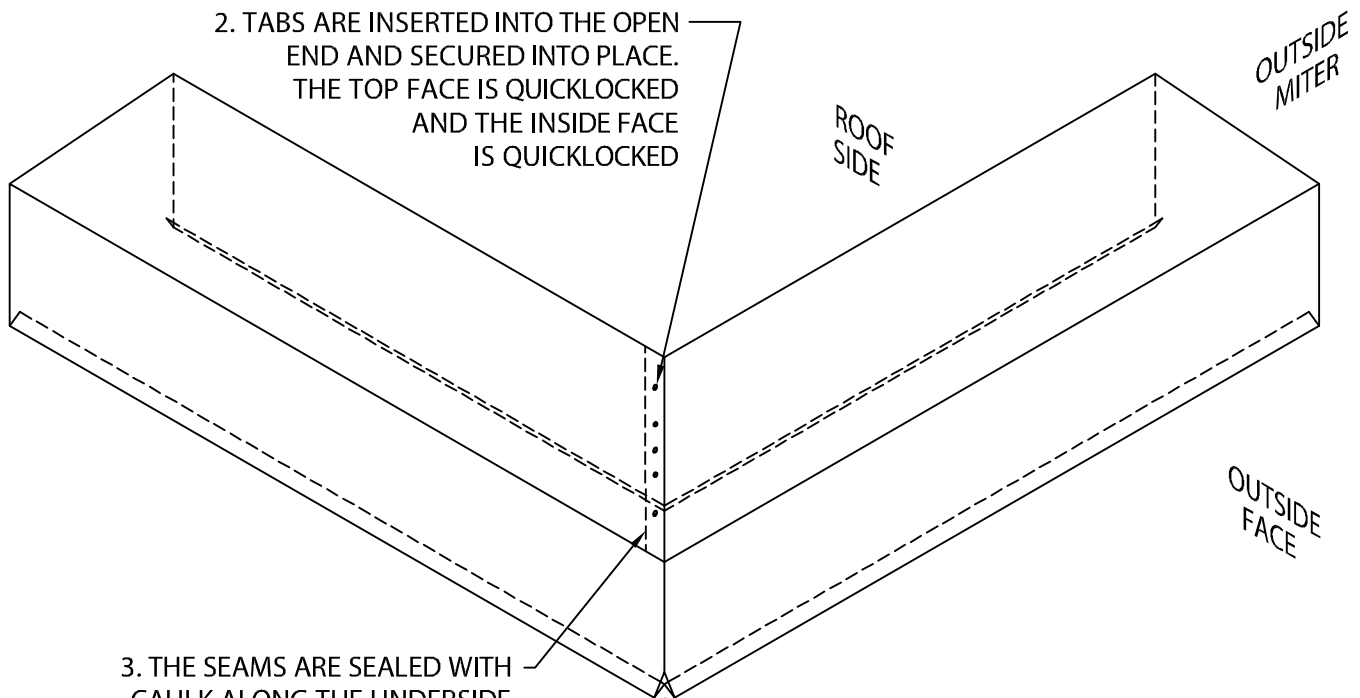


PERMA-TITE GOLD COPING MITERS

QUICKLOCK MITER ASSEMBLY



1. MITER IS LAYED OUT AS 1 PC IN THE FLAT, FORMED, THEN FOLDED AT FRONT FACE.



2. TABS ARE INSERTED INTO THE OPEN END AND SECURED INTO PLACE. THE TOP FACE IS QUICKLOCKED AND THE INSIDE FACE IS QUICKLOCKED

3. THE SEAMS ARE SEALED WITH CAULK ALONG THE UNDERSIDE

NON-WELDED MITERS ARE FABRICATED WITH OPEN OUTSIDE CORNERS



Phone: 800-558-2162
Fax: 800-373-9156
www.metalera.com

DATE: 03/06/13
DRN BY: JJC
CKD BY: SAK

SHT.# ___ OF ___

DWG# 11511-17396

A