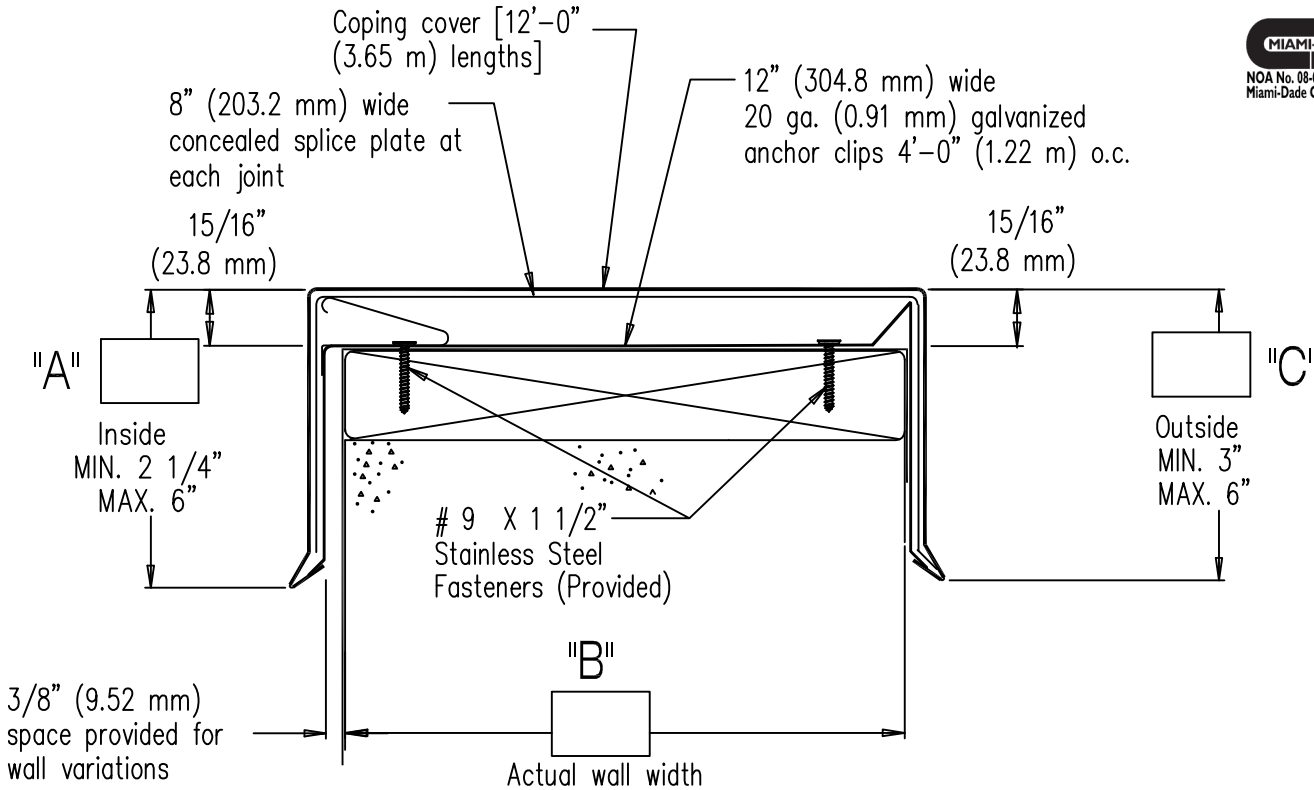


COPING (FLAT)

ANSI / SPRI / ES-1 TESTED



Coping is to be installed per Specifications and Sika Sarnafil's Installation Instruction Dwg. # 14111-2854

-- Concealed splice plates are provided with factory applied dual non-curing sealant strips.
 -- Unless otherwise noted, fabrication of miters and accessories are furnished standard utilizing a non-penetrating quicklock joint, then factory sealed watertight.

-- Welded Miters and Accessories
 Check one Required (surcharge) Not applicable

Fabrication will proceed only after receipt of signed print approval.

COPING MATERIAL: (CHECK ONE)

Print Approval:

Architect and/or contractor shall verify all dimensions, sizes, and quantities. All products to be installed in strict accordance with Sika Sarnafil printed instructions.

- ___ 24 Ga. (0.65 mm) Galv.
- ___ .040" (1.01 mm) Alum.
- ___ .050" (1.27 mm) Alum. Color: _____
- ___ .063" (1.60 mm) Alum.
- ___ OTHER _____ Finish: _____
- ___ Smooth ___ Textured (Stucco)

Approved by: _____

Date: _____

QUANTITIES:

- _____ Lineal Feet (12'-0" (3.65 M) Lengths)
- _____ Outside Miters @ (_____)°
- _____ Inside Miters @ (_____)°
- _____ Right End Caps
- _____ Left End Caps
- _____ _____

PROJECT	Sika Sarnafil Inc. 100 Dan Road Canton, MA 02021 (800) 451-2504 Fax: (781) 828-5365 www.metalera.com/sikasarnafil
ARCHITECT	
ROOFING CONTRACTOR	
REPRESENTATIVE/DISTRIBUTOR	



DATE: 02/28/11	SHT.# _____ OF _____
DRN BY: JJC	DWG# 14011-2855
CKD BY: SAK	