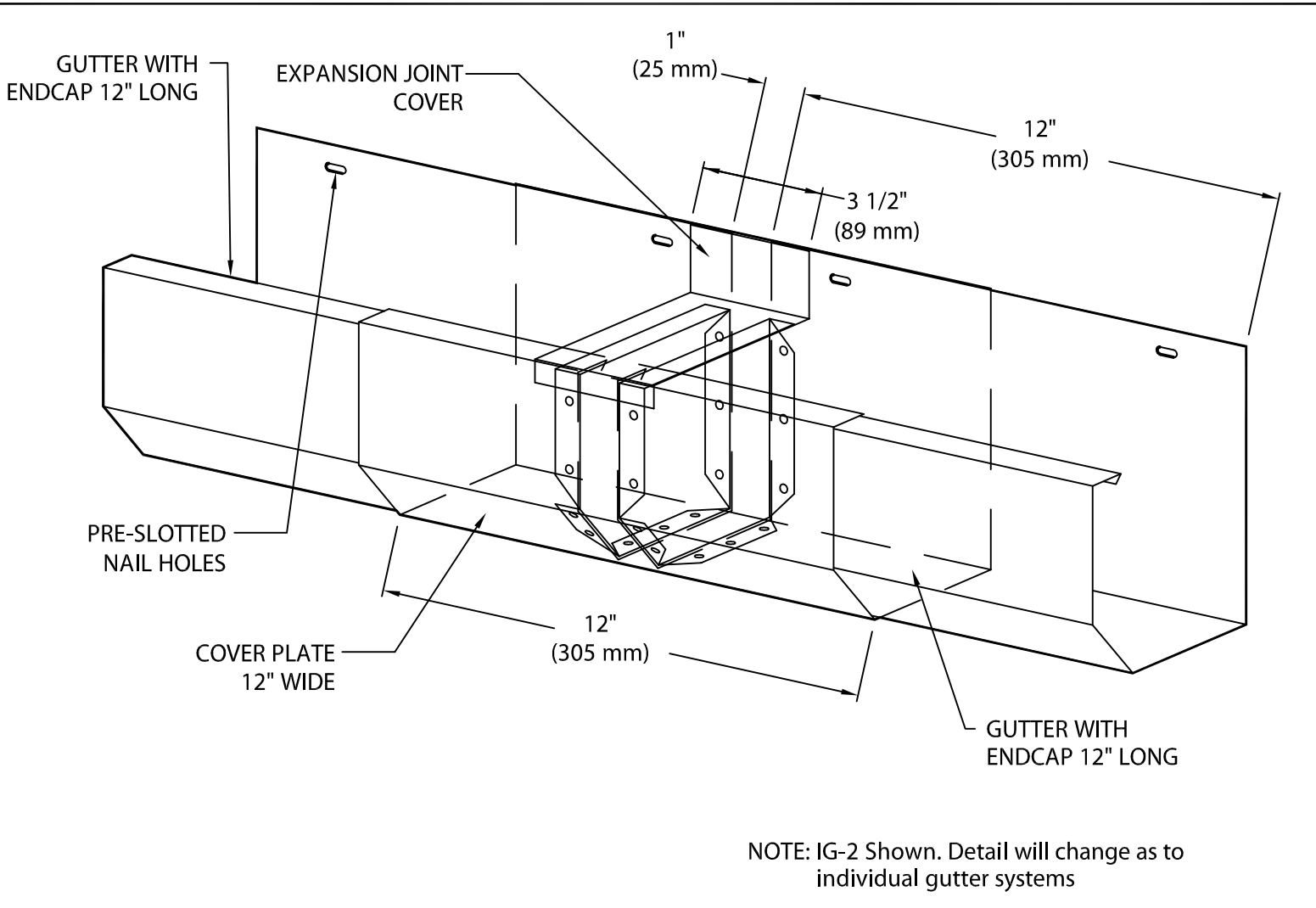


# STYLE 1 GUTTER EXPANSION JOINT

SMACNA DESIGN



NOTE: IG-2 Shown. Detail will change as to individual gutter systems

Fabrication will proceed only after receipt of signed print approval.

## Print Approval:

Architect and/or contractor shall verify all dimensions, sizes and quantities. All products to be installed in strict accordance with Metal-Era's printed instructions.

Approved by: \_\_\_\_\_

Date: \_\_\_\_\_

## MATERIAL:

- 24 Ga. (.65 mm) Galv.
- .040" (1.01 mm) Alum.      Color: \_\_\_\_\_
- .050" (1.27 mm) Alum.
- .063" (1.60 mm) Alum.      Finish: \_\_\_\_\_
- OTHER \_\_\_\_\_

## QUANTITIES:

\_\_\_\_\_ Quantity Required

PROJECT:

ARCHITECT:

ROOFING CONTRACTOR:

REPRESENTATIVE/DISTRIBUTOR:

Corporate Offices, Manufacturing  
1600 Airport Road; Waukesha, WI 53188  
Phone: 800-558-2162  
Fax: 800-373-9156  
www.metalera.com



DATE: 05/02/08

DRN BY: JJC

CKD BY: SAK

SHT.# \_\_\_\_ OF \_\_\_\_

DWG# 11012-1304

C