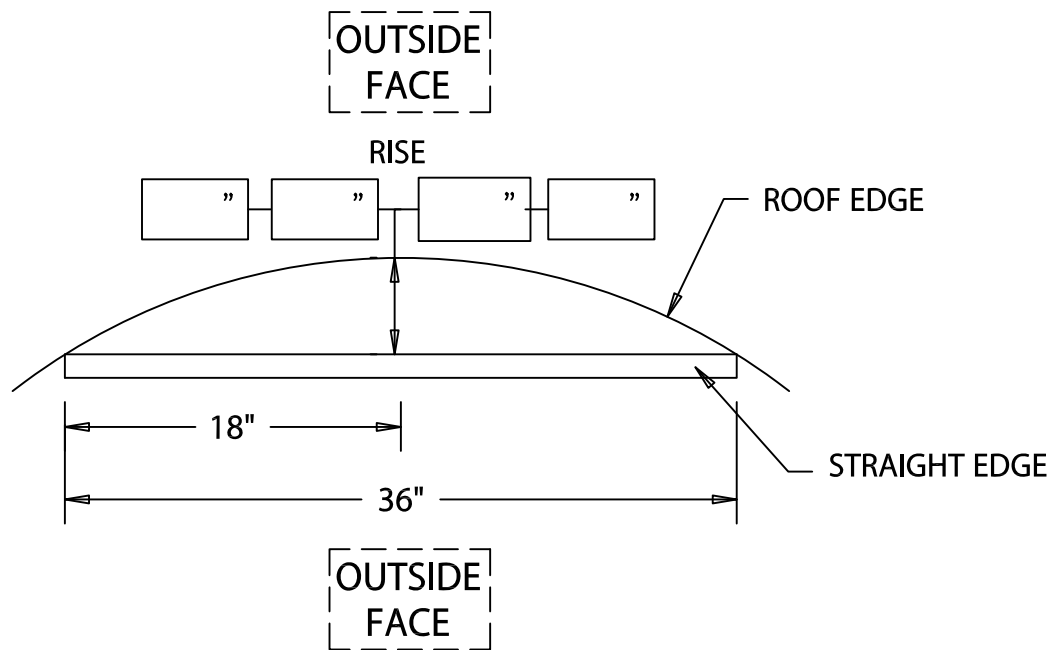


# RADIUS FASCIA

## MEASUREMENT INSTRUCTIONS


1. Using the 36" straight edge provided, set it against the wall (as illustrated).
2. Using the 12" rule provided, measure the distance (rise) from the edge of the yardstick at the 18" mark straight in to the face of the parapet.
3. Repeat steps 1 and 2 in several more areas along the arch. Record these measurements in the boxes provided. We will calculate the radius from these measurements.

**NOTE!** If the measured rise dimensions vary by  $\frac{1}{2}$ " or over, call Custom Service Rep. at 800-558-2162 for further instructions



### PLAN VIEW

**NOTE!** INDICATE PROPER RADIUS CONDITION BY CIRCLING APPROPRIATE OUTSIDE FACE.

PROJECT:	Corporate Offices, Manufacturing		
ARCHITECT:	1600 Airport Road; Waukesha, WI 53188		
ROOFING CONTRACTOR:	Phone: 800-558-2162		
REPRESENTATIVE/DISTRIBUTOR:	Fax: 800-373-9156		
	www.metalera.com		
	DATE: 11/15/22	SHT.# ____ OF ____	
	DRN BY: MLM		
	CKD BY: MM	DWG# 11510-1500	<b>B</b>