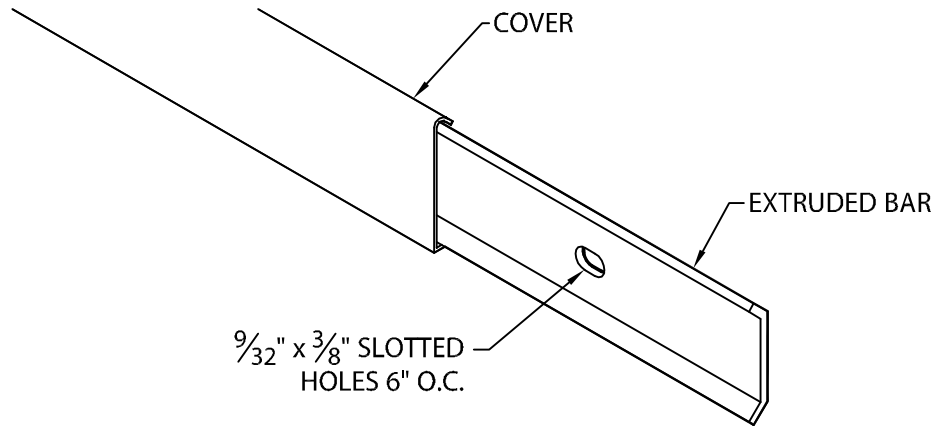
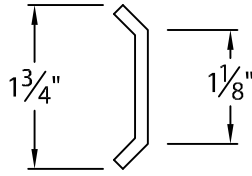


EXTRUDED TERMINATION BAR

EXTRUDED BAR WITH COVER



COVER PROVIDED WITH 1" LAP JOINTS
SLOTTED FASTENING HOLES $\frac{9}{32}$ " x $\frac{3}{8}$ " FURNISHED 6" O.C.

Fabrication will proceed only after receipt of signed print approval.

Print Approval:

Architect and/or contractor shall verify all dimensions, sizes and quantities. All products to be installed in strict accordance with Metal-Era's printed instructions.

Approved by: _____

Date: _____

BAR MATERIAL: (CB-175)

$\frac{1}{8}$ " EXTRUDED ALUMINUM

COVER MATERIAL: (CF-175)

___ 24 GA. GALVANIZED STEEL

___ .040" ALUMINUM

COLOR: _____ FINISH: _____

QUANTITIES:

_____ BAR LINEAL FEET 12'-0" LENGTHS

_____ COVER LINEAL FEET 12'-0" LENGTHS

PROJECT:

ARCHITECT:

ROOFING CONTRACTOR:

REPRESENTATIVE/DISTRIBUTOR:

Corporate Offices, Manufacturing
1600 Airport Road; Waukesha, WI 53188
Phone: 800-558-2162
Fax: 800-373-9156
www.metalera.com



DATE: 05/18/17

DRN BY: JJC

CKD BY: SAK

SHT.# ____ OF ____

DWG# 11016-1321

C