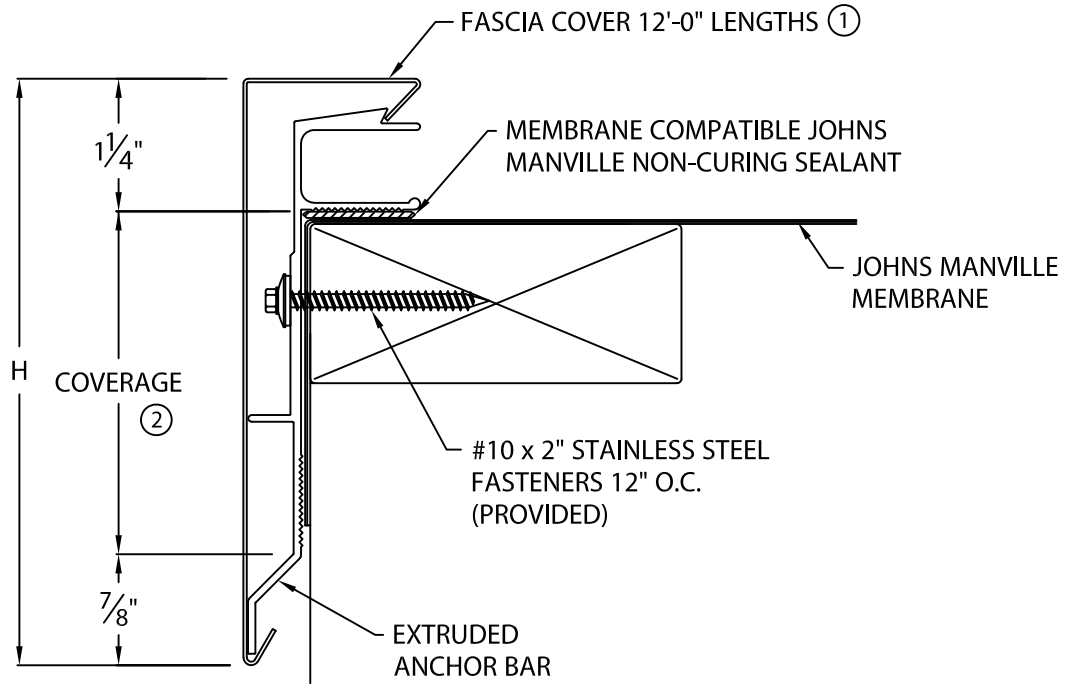




PRESTO-TITE HG FASCIA

FULLY ADHERED OR MECHANICALLY ATTACHED SINGLE-PLY VERSION

ANSI/SPRI ES-1 TESTED



NOTES:

- ① FASCIA COVER PROVIDED WITH 3 1/2" WIDE SPLICE PLATES.
- ② TYPICALLY COVERAGE SHOULD EXTEND A MIN. OF 1 1/2" BELOW WOOD BLOCKING IF APPLICABLE.
- ③ NOT AVAILABLE IN 24 GA. GALV. STEEL OR .040" ALUMINUM.

PRESTO-TITE HG FASCIA DIMENSIONS

PRODUCT ID. NO.	H DIM	COVERAGE	
<input type="checkbox"/> HG-AF-40	4"	1 7/8"	
<input type="checkbox"/> HG-AF-55	5 1/2"	3 3/8"	
<input type="checkbox"/> HG-AF-70	7"	4 7/8"	
<input type="checkbox"/> HG-AF-85	8 1/2"	6 3/8"	
<input type="checkbox"/> HG-AF-100 ③	10"	7 7/8"	

MATERIAL:

24 GA. GALVANIZED STEEL COLOR: _____
 22 GA. GALVANIZED STEEL FINISH: _____
 .040" ALUMINUM
 .050" ALUMINUM
 .063" ALUMINUM
 OTHER _____

QUANTITIES:

_____ LINEAL FEET 12'-0" LENGTHS
 _____ OUTSIDE MITER(S) @ 90°
 _____ INSIDE MITER(S) @ 90°
 _____ OVERFLOW SCUPPER(S) STYLE ___A___B
 _____ SPILLOUT SCUPPER(S) STYLE ___A___B
 _____ DOWNSPOUT SCUPPER(S) STYLE ___A___B
 (____x____) DOWNSPOUT SIZE A: TAPERED 1 1/2" DROP B: FLAT

FOR NON-90 MITERS SEE PRINT APPROVAL #16010-2320

Fabrication will proceed only after receipt of signed print approval.

Print Approval:

Architect and/or contractor shall verify all dimensions, sizes and quantities. All products to be installed in strict accordance Johns Manville's printed instructions.

Approved by: _____

Date: _____

PROJECT:

ARCHITECT:

ROOFING CONTRACTOR:

REPRESENTATIVE/DISTRIBUTOR:

51 Lexington Street; Lewiston, ME 04240
 CUSTOMER SERVICE: 800-223-8317 USA
 800-445-1500 Canada
 TECHNICAL SERVICE: 800-445-1500 USA & Canada
 FAX: 207-784-0125
 OTHER AREAS CALL: 207-784-0123



DATE: 01/30/20

DRN BY: JJC

CKD BY: JAI

SHT.# ___ OF ___

DWG# 16010-5598