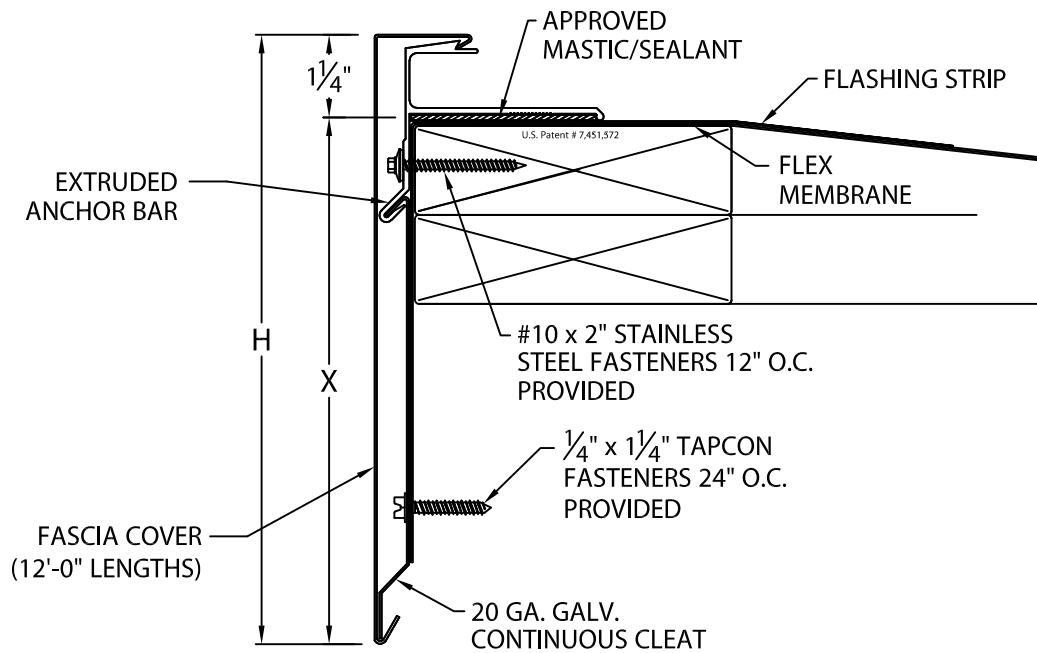




FLEXLOCK FLE EXTENDED ROOF EDGE

BUILT-UP OR MODIFIED VERSION

ANSI/SPRI ES-1 DESIGN PRESSURE OF 176 psf



NOTE: 3/2" SPLICE PLATES PROVIDED AT ALL JOINTS

FLEXLOCK FLE EXTENDED ROOF EDGE DIMENSIONS

PRODUCT ID. NO.	H DIM	X DIM
<input type="checkbox"/> AEFM-85	8 1/2"	7 1/4"
<input type="checkbox"/> AEFM-100	10"	8 3/4"
<input type="checkbox"/> AEFM-115	11 1/2"	10 1/4"
<input type="checkbox"/> AEFM-130	13"	11 3/4"

MATERIAL:

___ 22 GA. GALV. STEEL ___ .063" ALUMINUM

___ .050" ALUMINUM ___ OTHER _____

COLOR: _____ FINISH: _____

Fabrication will proceed only after receipt of signed print approval.

Print Approval:

Architect and/or contractor shall verify all dimensions, sizes and quantities. All products to be installed in strict accordance with Flex's printed instructions.

Approved by: _____

Date: _____

QUANTITIES:

_____ LINEAL FEET 12'-0" LENGTHS

_____ Outside Miter(s) @ 90°

_____ Inside Miter(s) @ 90°

_____ OVERFLOW SCUPPER(S) STYLE ___A___B

_____ SPILLOUT SCUPPER(S) STYLE ___A___B

_____ DOWNSPOUT SCUPPER(S) STYLE ___A___B

(_____ X _____) SIZE A: TAPERED 1 1/2" DROP
B: FLAT

FOR NON-90 MITERS SEE PRINT APPROVAL #28010-3436

PROJECT: _____

ARCHITECT: _____

ROOFING CONTRACTOR: _____

REPRESENTATIVE/DISTRIBUTOR: _____

Customer Service:
Phone: 800-969-0108
Fax: 610-916-9501



DATE: 03/06/19 SHT.# ___ OF ___

DRN BY: ZS

CKD BY: SAK DWG# 28010-11340 **H**