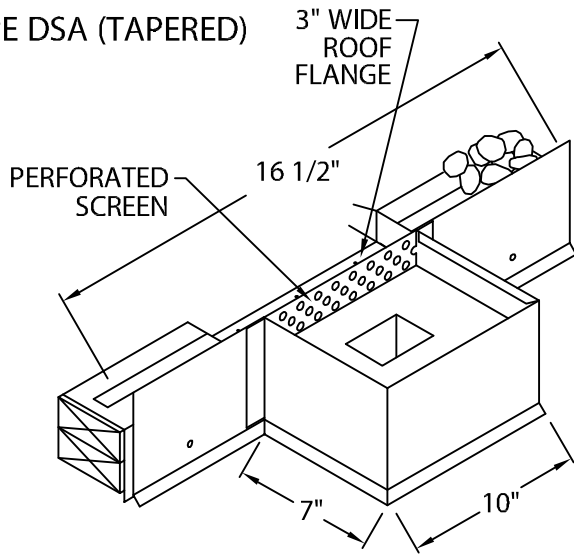


SECUREDGE SYSTEM 200 FASCIA

SCUPPERS - FACTORY WELDED CONSTRUCTION

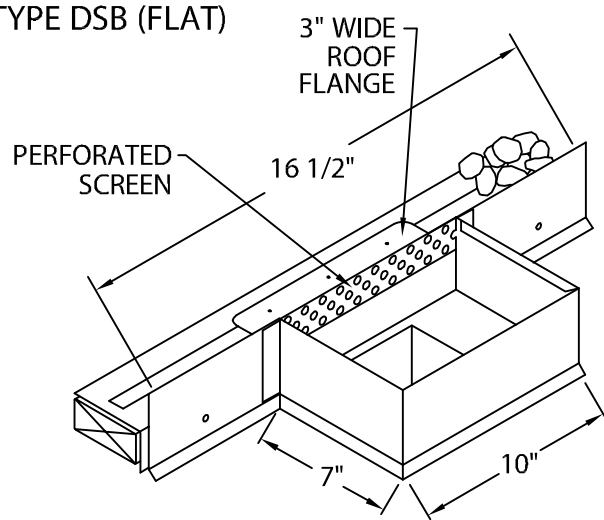
**DOWNSPOUT SCUPPER
TYPE DSA (TAPERED)**



FOR USE WITH TAPERED EDGE STRIP.
FLANGE LOWERED 1 1/2".

NOTE: SPECIFY TUBE SIZE

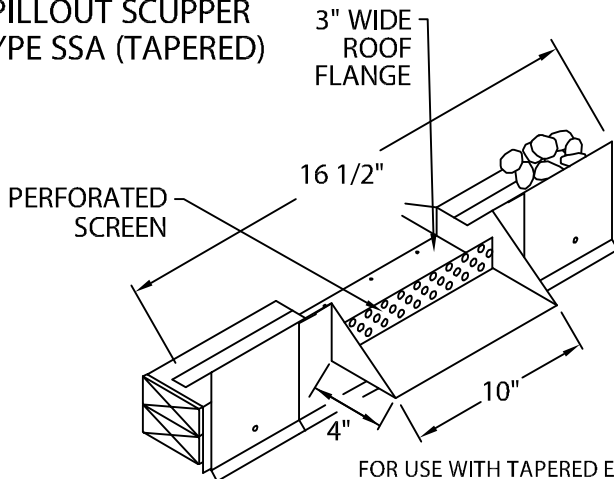
**DOWNSPOUT SCUPPER
TYPE DSB (FLAT)**



FOR USE WITHOUT TAPERED EDGE STRIP.
FLANGE FLUSH MOUNTED WITH ROOF.

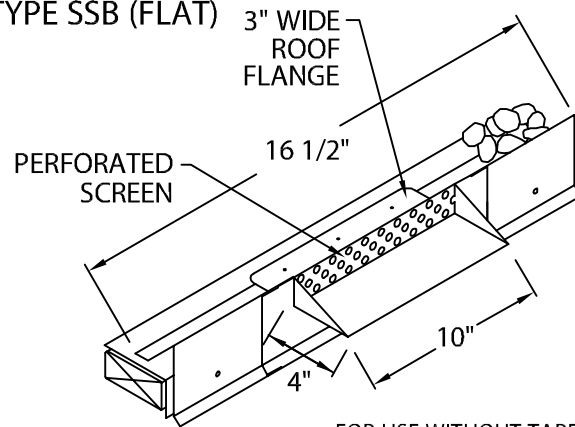
**NOTE:
SPECIFY TUBE SIZE**

**SPILLOUT SCUPPER
TYPE SSA (TAPERED)**



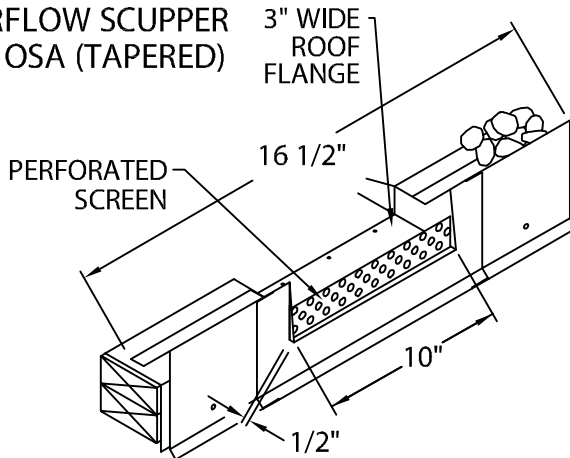
FOR USE WITH TAPERED EDGE STRIP.
FLANGE LOWERED 1 1/2".

**SPILLOUT SCUPPER
TYPE SSB (FLAT)**



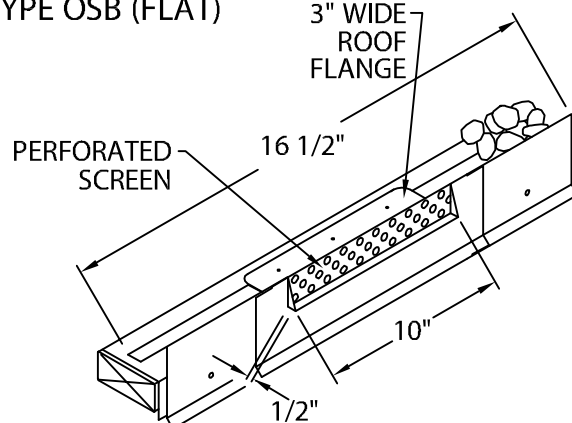
FOR USE WITHOUT TAPERED EDGE STRIP.
FLANGE FLUSH MOUNTED WITH ROOF.

**OVERFLOW SCUPPER
TYPE OSA (TAPERED)**



FOR USE WITH TAPERED EDGE STRIP.
FLANGE LOWERED 1-1/2".

**OVERFLOW SCUPPER
TYPE OSB (FLAT)**



FOR USE WITHOUT TAPERED EDGE STRIP.
FLANGE FLUSH MOUNTED WITH ROOF.