



SECUREDGE 200 GOLD COPING

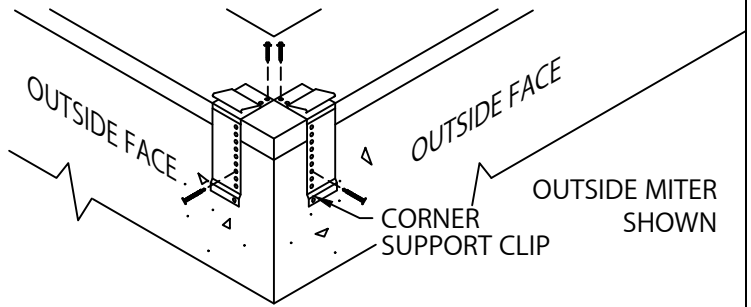
FLAT OR EXISTING SLOPE VERSION - 2'-0" O.C.

INSTALLATION INSTRUCTIONS

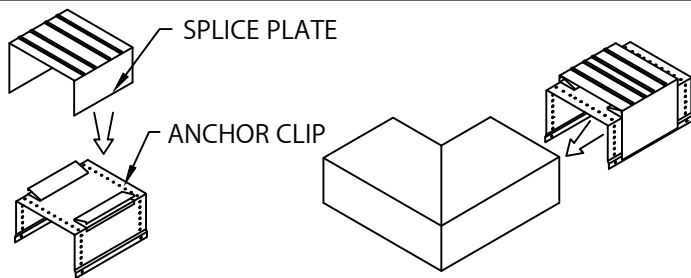
IMPORTANT: PRIOR TO INSTALLATION, READ INSTRUCTIONS CAREFULLY.

NOTE: POSITION ROOF MEMBRANE ON TOP OF THE WALL COVERING THE TREATED WOOD NAILER(S) OR SUBSTRATE COMPLETELY. ALLOW 1/2" MINIMUM EXCESS MEMBRANE BEYOND NAILER WHERE APPLICABLE. NRCA REQUIREMENT.

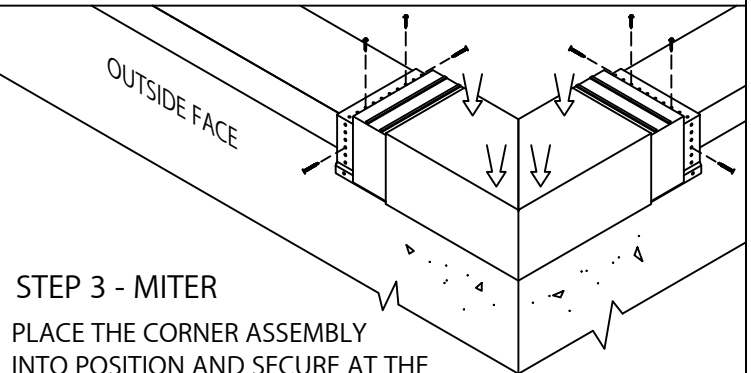
CAUTION: INSTALL MITERS FIRST!



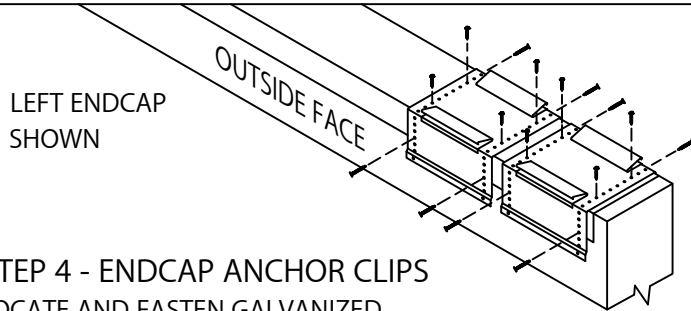
STEP 1 - CORNER SUPPORT CLIPS
LOCATE AND FASTEN GALVANIZED CORNER SUPPORT CLIPS TO THE WALL.



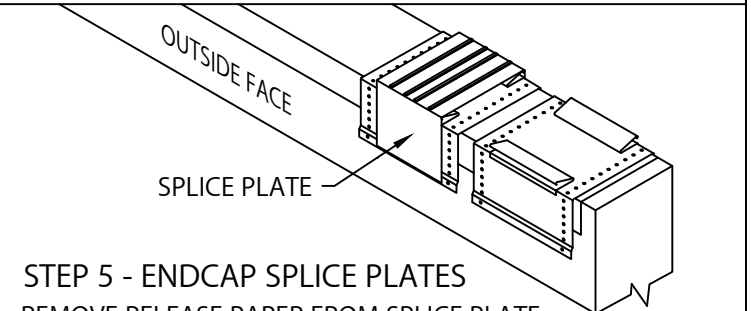
STEP 2 - MITER SPLICE PLATES & ANCHOR CLIPS
POSITION THE SPLICE PLATE IN THE CENTER OF THE ANCHOR CLIP. INSTALL THE SPLICE PLATE AND ANCHOR CLIP ASSEMBLY INTO EACH END OF THE CORNER AS SHOWN



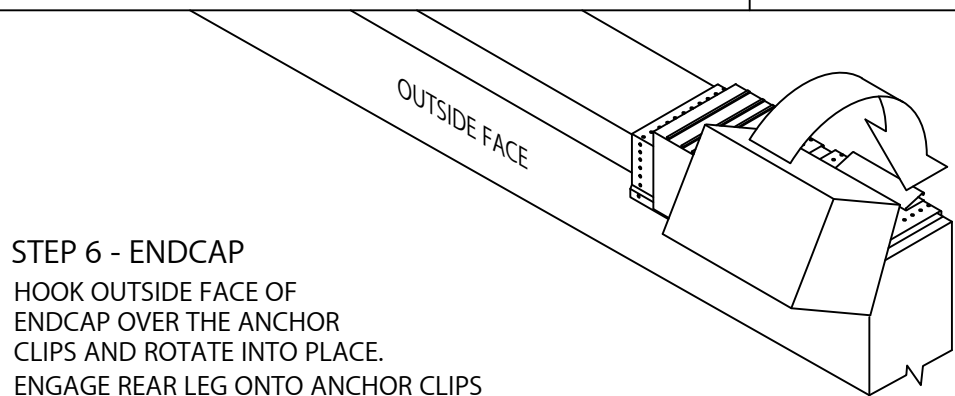
STEP 3 - MITER
PLACE THE CORNER ASSEMBLY INTO POSITION AND SECURE AT THE EXPOSED EDGE OF THE ANCHOR CLIPS AS PER DETAIL A.



STEP 4 - ENDCAP ANCHOR CLIPS
LOCATE AND FASTEN GALVANIZED ANCHOR CLIPS TO WALL WITH PROVIDED FASTENERS FOR SUBSTRATE (SEE DETAIL A).



STEP 5 - ENDCAP SPLICE PLATES
REMOVE RELEASE PAPER FROM SPLICE PLATE SEALANT STRIPS. PLACE SPLICE PLATE ONTO SECOND ANCHOR CLIP AS SHOWN.



STEP 6 - ENDCAP
HOOK OUTSIDE FACE OF ENDCAP OVER THE ANCHOR CLIPS AND ROTATE INTO PLACE.
ENGAGE REAR LEG ONTO ANCHOR CLIPS BY PRESSING DOWNWARD UNTIL SNAP LOCK OCCURS.



Customer Service
866-458-3537
(Metal-Era)

DATE: 06/09/22
DRN BY: MLM
CKD BY: MM

SHT.# 1 OF 3
DWG# 15111-38619 **A**



SECUREDGE 200 GOLD COPING

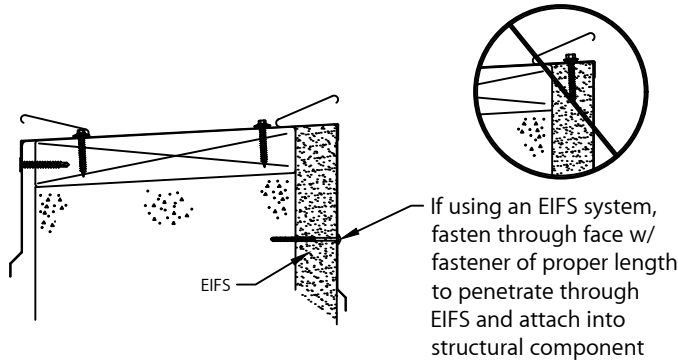
FLAT OR EXISTING SLOPE VERSION - 2'-0" O.C.

INSTALLATION INSTRUCTIONS

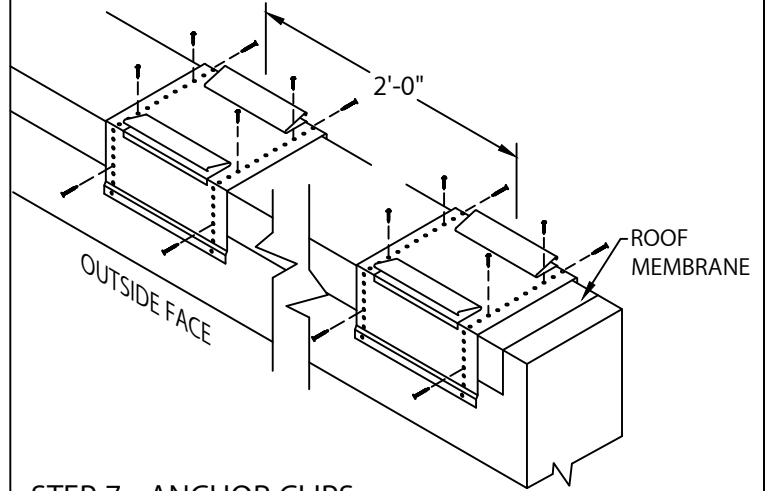
INSTALLATION NOTES:

1) Installing contractor shall check as-built conditions, including nailer attachment, and verify the manufacturer's coping details for accuracy to fit the wall assembly prior to fabrication.

2) Fasteners must be corrosion resistant and rated for a minimum 250# pullout force for the substrate that is being used.

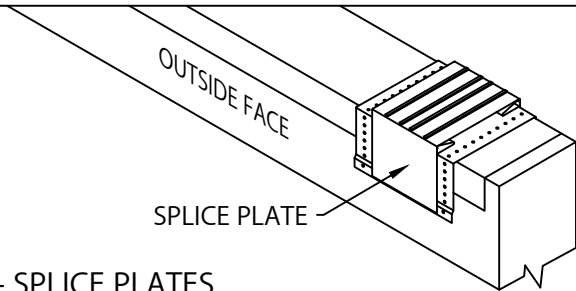


If using an EIFS system, fasten through face w/ fastener of proper length to penetrate through EIFS and attach into structural component



STEP 7 - ANCHOR CLIPS

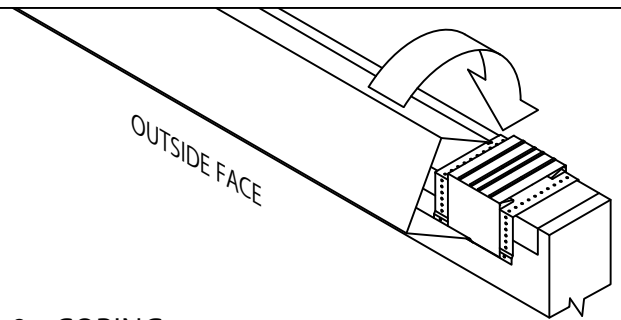
LOCATE OVER ROOFING MEMBRANE AND FASTEN GALVANIZED ANCHOR CLIPS TO WALL AT 2'-0" CENTER WITH PROVIDED FASTENERS AS SHOWN IN DETAIL A



STEP 8 - SPLICE PLATES

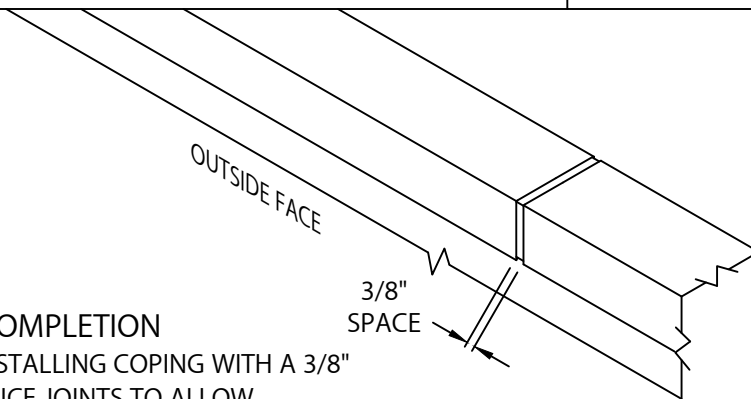
PLACE SPLICE PLATE ONTO ANCHOR CLIPS AT SPLICE JOINTS

NOTE: REMOVE RELEASE PAPER FROM SEALANT STRIPS.



STEP 9 - COPING

HOOK OUTSIDE FACE OF COPING OVER THE ANCHOR CLIPS AND ROTATE INTO PLACE. ENGAGE REAR LEG ONTO ANCHOR CLIPS BY PRESSING DOWNWARD UNTIL SNAP LOCK OCCURS.



STEP 10 - COMPLETION

CONTINUE INSTALLING COPING WITH A 3/8" SPACE AT SPLICE JOINTS TO ALLOW FOR THERMAL EXPANSION. FIELD CUT WHERE NECESSARY USING FINE TOOTH HACKSAW OR SNIPS.

NOTE: REMOVE PROTECTIVE FILM IMMEDIATELY.



Customer Service
866-458-3537
(Metal-Era)

DATE: 06/09/22
DRN BY: MLM
CKD BY: MM

SHT.# 2 OF 3
DWG# 15111-38619

A

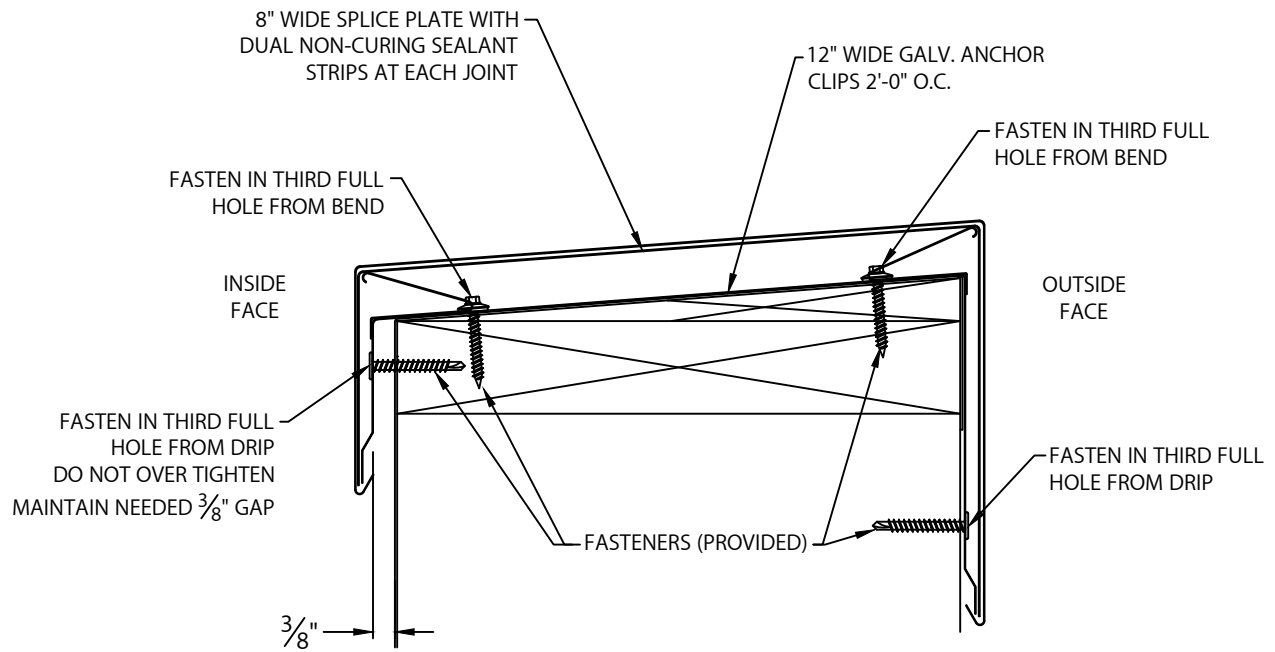


SECUREEDGE 200 GOLD COPING

FLAT OR EXISTING SLOPE VERSION - 2'-0" O.C.

INSTALLATION INSTRUCTIONS

TYPICAL COPING INSTALLATION DETAIL A (EXISTING SLOPE VERSION SHOWN)



Customer Service
866-458-3537
(Metal-Era)

DATE: 06/09/22
DRN BY: MLM
CKD BY: MM

SHT.# 3 OF 3
DWG# 15111-38619

A