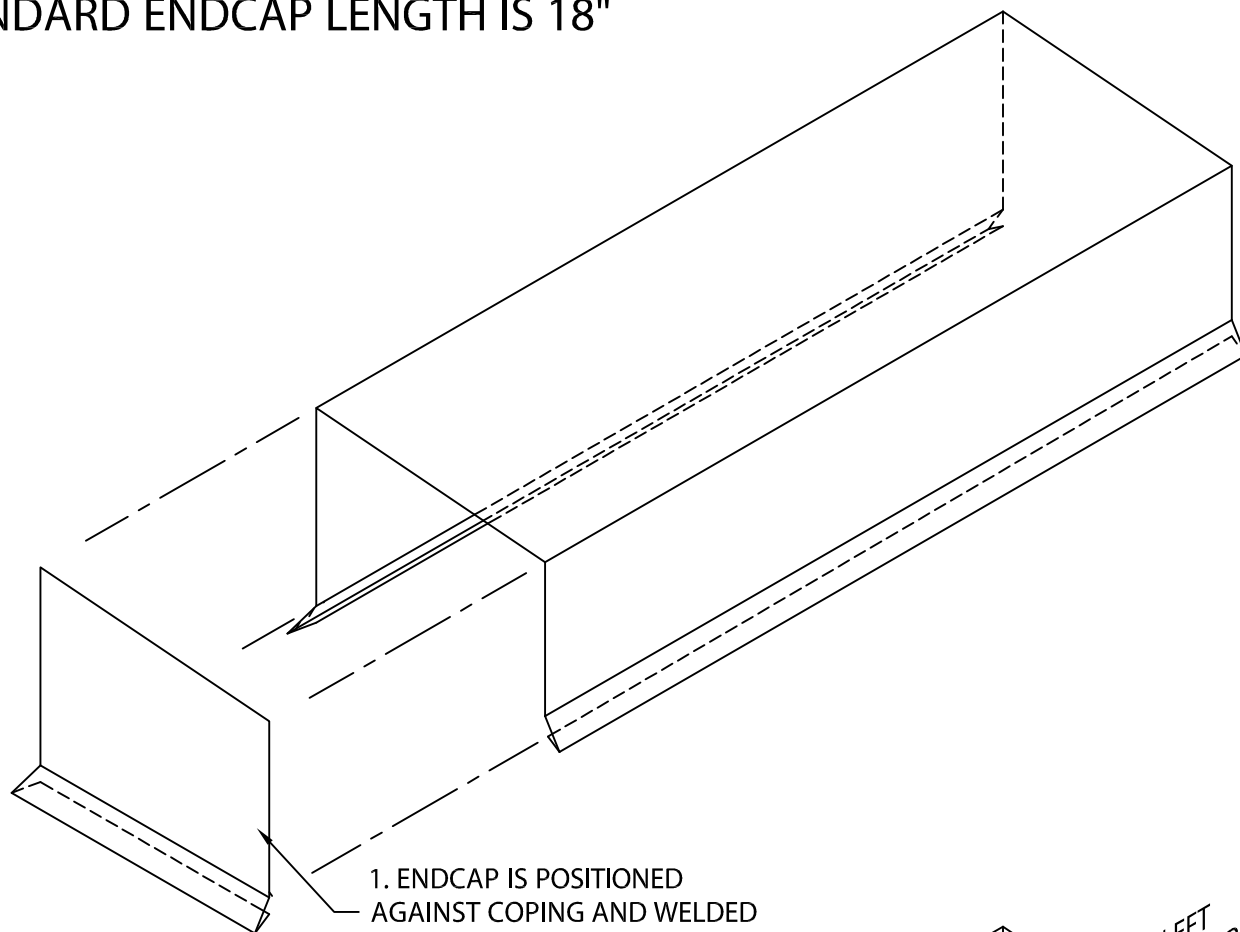


# SECUREDGE 200 COPING ENDCAPS

WELDED POST-FINISHED ENDCAP ASSEMBLY

STANDARD ENDCAP LENGTH IS 18"



2. PIECE IS POST-COATED AFTER FABRICATION AND WELDING

