


NOTES:

- ① ANCHOR CLIP PROFILE ON WALLS 14" AND GREATER. 
- ② IF WALL SIZE IS OVER 16", THE RISE IS 5/8".
- ③ FACE = COVERAGE (SHOULD EXTEND A MIN. OF 1" BELOW WATER RESISTANT WALL SURFACE) + 2".
- ④ 24 GA. GALV. AND .040" ALUM. COPING COVERS AVAILABLE FOR WALL SIZES 3 1/2" TO 24" ONLY.
- ⑤ WELDED ACCESSORIES REQUIRE A MINIMUM MATERIAL THICKNESS OF .050".
- ⑥ FOR NON 90° MITERS PLEASE USE PRINT APPROVAL #15011-1677.

MATERIAL:

___ 24 GA. GALVANIZED STEEL ④ ___ .040" ALUMINUM ④
 ___ 22 GA. GALVANIZED STEEL ___ .050" ALUMINUM
 ___ OTHER _____ ___ .063" ALUMINUM
 COLOR: _____ FINISH: _____

QUANTITIES:

_____ LINEAL FEET 12'-0" LENGTHS

ACCESSORIES:

___ OUTSIDE MITERS @ 90° ⑥
 ___ INSIDE MITERS @ 90° ⑥
 ___ RIGHT ENDCAPS
 ___ LEFT ENDCAPS
 ___ RIGHT ENDWALL (COPING VERSION)
 ___ LEFT ENDWALL (COPING VERSION)
 ___ RIGHT ENDWALL (SPLICE PLATE VERSION)
 ___ LEFT ENDWALL (SPLICE PLATE VERSION)

SPECIFY ACCESSORY TYPE:
 WELDED ⑤
 QUICKLOCK

AUTHORIZED SIGNATURE:

APPROVED BY: _____

DATE: _____



ANSI/SPRI ES-1 TESTED

PROJECT:

ARCHITECT:

ROOFING CONTRACTOR:

REPRESENTATIVE/DISTRIBUTOR:

CUSTOMER SERVICE
866-458-3537
(METAL-ERA)

DATE: 03/05/19
DRN BY: ZS
CKD BY: SAK

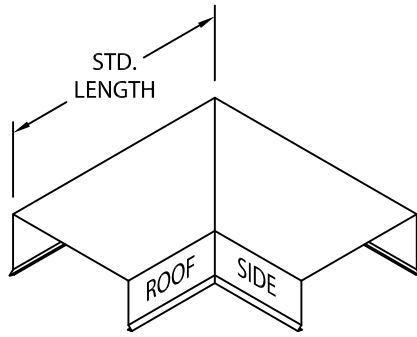
SHT.# ___ OF ___

DWG# 15011-19292

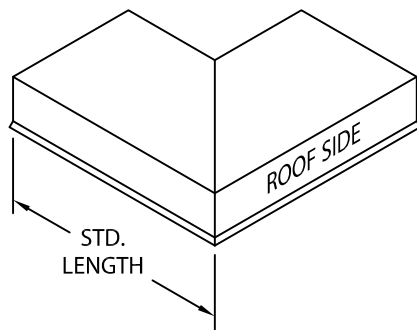
F



SECUREDGE 200 COPING



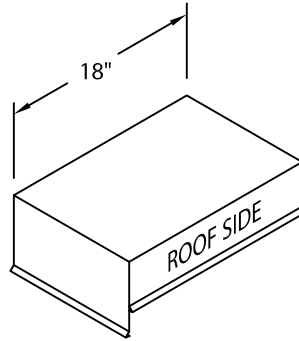
OUTSIDE MITER



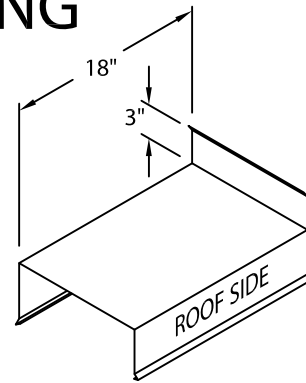
INSIDE MITER

MITER STANDARD LEG LENGTH:
 $WALL\ SIZE + 9\frac{5}{8}'' = LENGTH$

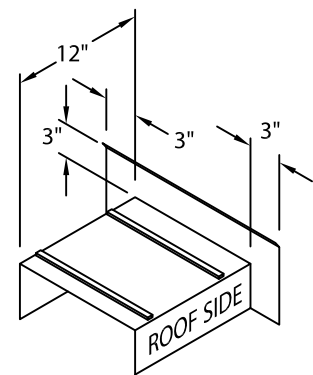
SECUREDGE 200 COPING STANDARD ACCESSORIES



ENDCAP
(LEFT HAND SHOWN)



ENDWALL FLASHING
COPING VERSION
(RIGHT HAND SHOWN)



ENDWALL FLASHING
SPLICE PLATE VERSION
(RIGHT HAND SHOWN)
(AVAILABLE ONLY IN
.040" WELDED, PAINTED
TO MATCH COPING)

ADDITIONAL ACCESSORIES ARE AVAILABLE:

- TRANSITION MITERS
- STRAIGHT TRANSITION MITERS
- "T" MITERS
- "Z" MITERS
- STEP-UP MITERS
- PEAK / VALLEY MITERS
- PILASTER CAPS
- RADIUS COPING
- ARCHED COPING

(FOR ADDITIONAL ACCESSORY REQUIREMENTS, ATTACH SKETCHES OR CALL MANUFACTURER FOR ASSISTANCE).

ANCHOR CLIP SPACING:

- 24 GA. / .040", 16" WALL SIZE OR LESS, ANCHOR CLIPS ARE 48" O.C.
- 24 GA. / .040", OVER 16" WALL SIZE, ANCHOR CLIPS ARE 36" O.C.
- 22 GA. / .050" / .063", 26½" WALL SIZE OR LESS, ANCHOR CLIPS ARE 48" O.C.
- 22 GA. / .050" / .063", OVER 26½" WALL SIZE, ANCHOR CLIPS ARE 36" O.C.
- FLORIDA JOBS HAVE ANCHOR CLIPS 36" O.C. FOR ALL WALL SIZES.

ANCHOR CLIP MATERIAL IS 20 GA. GALV. FOR ALL WALL SIZES UP TO 26½".
 16 GA. GALV. FOR ALL WALL SIZES GREATER THAN 26½"

	CUSTOMER SERVICE	DATE: 03/05/19	SHT.# ___ OF ___
	866-458-3537	DRN BY: ZS	DWG# 15011-19292
	(METAL-ERA)	CKD BY: SAK	