



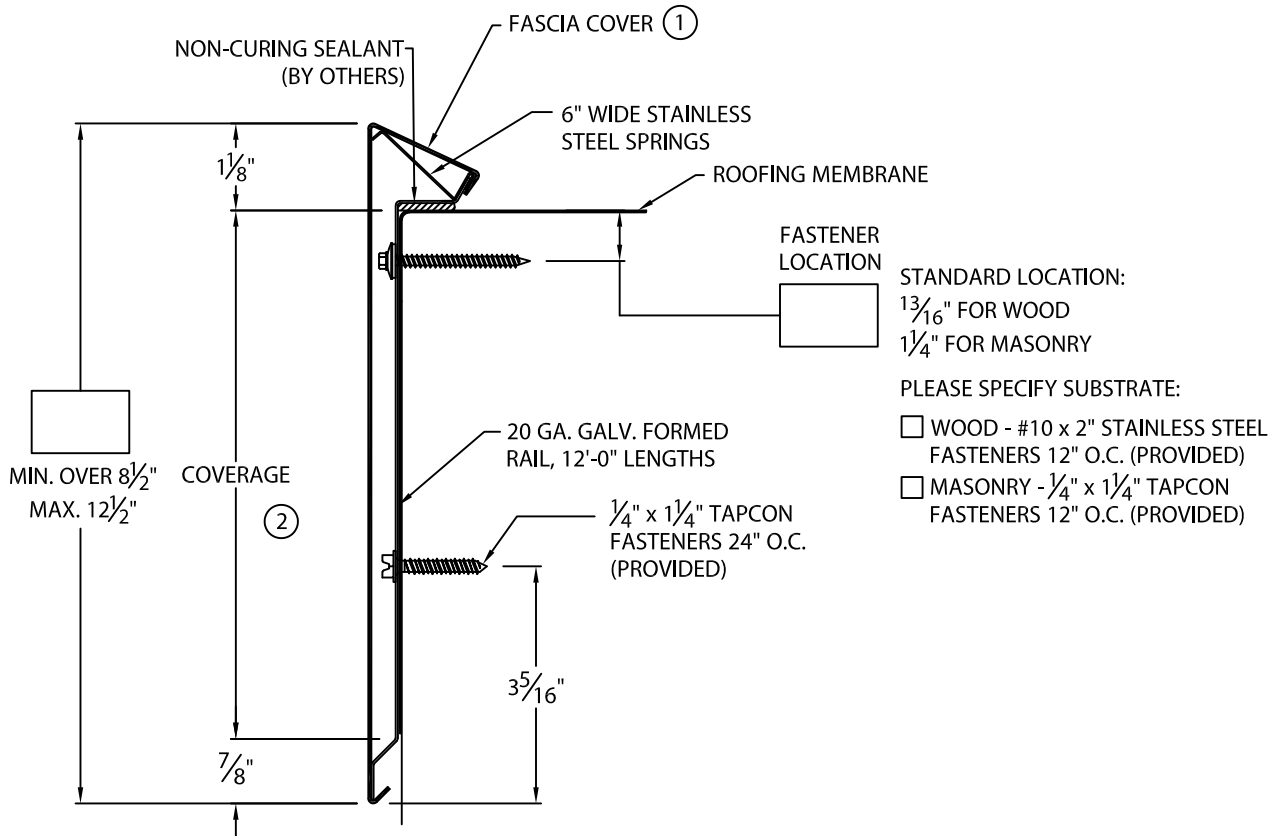
CUSTOM ONE EDGE EXTENDED

FULLY ADHERED OR MECHANICALLY ATTACHED SINGLE-PLY VERSION

CUSTOM FACE SIZE, FASTENER LOCATION AND COVER LENGTHS - .050" AND .063" COVER MATERIAL

ANSI/SPRI ES-1 DESIGN PRESSURE OF 146 psf

U.S. Patent # 5,927,023



NOTES:

- ① FASCIA COVER PROVIDED WITH 3 1/2" WIDE SPLICE PLATES.
- ② FACE = COVERAGE (SHOULD EXTEND A MIN. OF 1" BELOW WATERPROOFING MEMBRANE) + 2".

MATERIAL:

___ .050" Aluminum
 ___ .063" Aluminum
 ___ Other _____

Color: _____

Finish: _____

Fabrication will proceed only after receipt of signed print approval.

Print Approval:

Architect and/or contractor shall verify all dimensions, sizes and quantities. All products to be installed in strict accordance with Metal-Era's printed instructions.

Approved by: _____

Date: _____

QUANTITIES:

___ Lineal Feet @ _____ Lengths
OR

___ Pcs. @ _____ Lengths

___ Outside Miters (Cover Only) @ 90°

___ Inside Miters (Cover Only) @ 90°

For Non-90° Miters, See Print Approval #11010-1103

PROJECT:

ARCHITECT:

ROOFING CONTRACTOR:

REPRESENTATIVE/DISTRIBUTOR:

Corporate Offices, Manufacturing
 1600 Airport Road; Waukesha, WI 53188
 Phone: 800-558-2162
 Fax: 800-373-9156
 www.metalera.com



DATE: 01/06/20

DRN BY: JJC

CKD BY: JAI

SHT.# ___ OF ___

DWG# 11310-21017

E