



SECUREDGE 200 GRAVEL STOP

WITH CONTINUOUS CLEAT

INSTALLATION INSTRUCTIONS

NOTE: INSTALL MITERS FIRST.

STEP ① INSTALL GRAVEL STOP MITERS FIRST. INSERT ONE SPLICE PLATE UNDER EACH END OF MITER WITH WATER CUT-OFF MASTIC TO BE FIELD APPLIED TO TOP OF EACH SPLICE AS SHOWN. FASTEN WITH PROVIDED 1 1/4" RING SHANK ROOFING NAILS

WATER CUT-OFF MASTIC

① MITER

STEP ② POSITION 12'-0" CONTINUOUS CLEAT SECTIONS UNDER SPLICE PLATE AND MITER THEN FASTEN 12" O.C. AS SHOWN WITH PROVIDED 1 1/4" RING SHANK ROOFING NAILS. LAP CONTINUOUS CLEAT 1" AT JOINTS.

STEP ③ INSERT ONE SPLICE PLATE UNDER LEFT END OF 12'-0" GRAVEL STOP SECTION WITH MASTIC TO BE FIELD APPLIED TO TOP OF EACH SPLICE AS SHOWN.

STEP ④ INSTALL 12'-0" GRAVEL STOP SECTIONS. HOOK DRIP EDGE OF EACH GRAVEL STOP SECTION ONTO CONTINUOUS CLEAT, ROTATE INTO PLACE, AND FASTEN 6" O.C. WITH PROVIDED 1 1/4" RING SHANK ROOFING NAILS.

④ 12'-0" GRAVEL STOP SECTIONS

② CONTINUOUS CLEAT

③ SPLICE PLATE

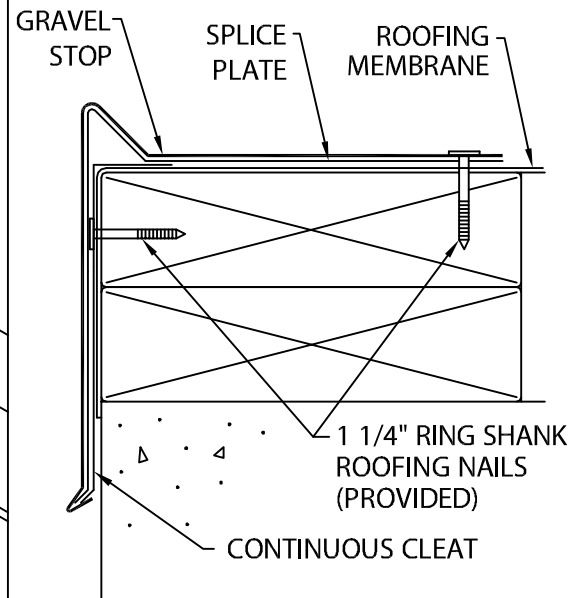
FASTEN GRAVEL STOP AND CONTINUOUS CLEAT WITH PROVIDED NAILS

⑤ 3/8" SPACE AT EACH JOINT

STEP ⑤ CONTINUE BY INSTALLING GRAVEL STOP SECTIONS ALLOWING A 3/8" SPACE BETWEEN SECTIONS AS SHOWN. FIELD CUT AS NECESSARY.

CAUTION : REMOVE PROTECTIVE FILM IMMEDIATELY AFTER INSTALLATION. INSTALLERS SHALL WEAR PROTECTIVE EYEWEAR TO PREVENT INJURY.

TYPICAL INSTALLATION



Customer Service
866-458-3537
(Metal-Era)

DATE: 10/06/16
DRN BY: JJC
CKD BY: SAK

SHT.# ___ OF ___
DWG# 15110-1668

B