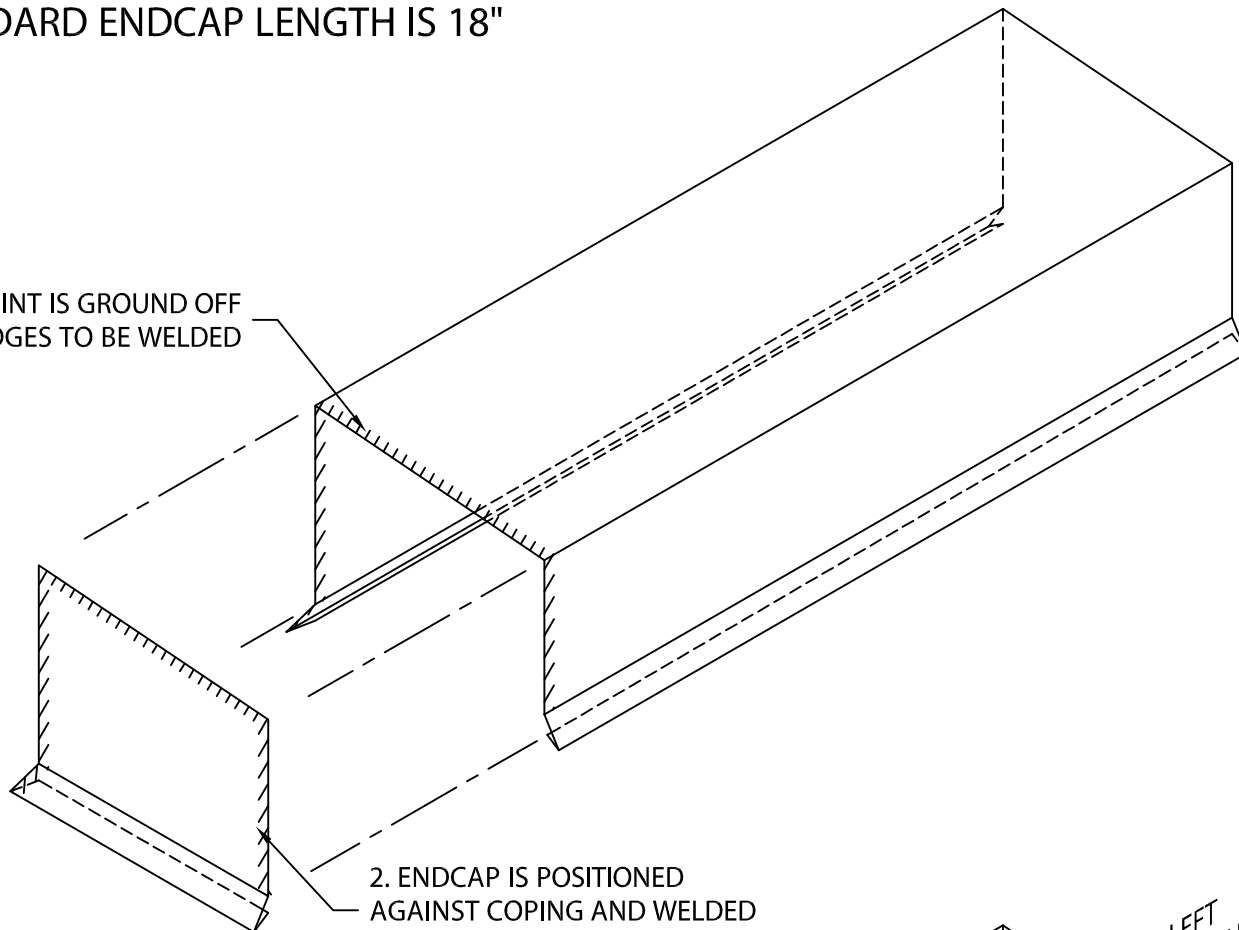


SECUREEDGE 200 COPING ENDCAPS

WELDED PRE-FINISHED ENDCAP ASSEMBLY

STANDARD ENDCAP LENGTH IS 18"

1. PAINT IS GROUND OFF
EDGES TO BE WELDED



3. WELDED AREAS ARE
PRIMED AND FINISHED
WITH AIR DRY PAINT

OUTSIDE
FACE

LEFT
ENDCAP

INSIDE
FACE

WELDED ENDCAPS
ARE FABRICATED
WITH FULLY WELDED
OUTSIDE CORNERS