



ELEVATE GRAVEL STOP

WITH CONTINUOUS CLEAT

INSTALLATION INSTRUCTIONS

NOTE: INSTALL MITERS FIRST.

STEP ① INSTALL GRAVEL STOP MITERS FIRST. INSERT ONE SPLICE PLATE UNDER EACH END OF MITER WITH HIGH GRADE ARCHITECTURAL SEALANT (BY OTHERS) TO BE FIELD APPLIED TO TOP OF EACH SPLICE AS SHOWN. FASTEN WITH PROVIDED FASTENERS

HIGH GRADE ARCHITECTURAL SEALANT (BY OTHERS)

① MITER

STEP ② POSITION 12'-0" CONTINUOUS CLEAT SECTIONS UNDER SPLICE PLATE AND MITER THEN FASTEN 12" O.C. AS SHOWN WITH PROVIDED FASTENERS. LAP CONTINUOUS CLEAT 1" AT JOINTS.

STEP ③ INSERT ONE SPLICE PLATE UNDER LEFT END OF 12'-0" GRAVEL STOP SECTION WITH SEALANT TO BE FIELD APPLIED TO TOP OF EACH SPLICE AS SHOWN.

STEP ④ INSTALL 12'-0" GRAVEL STOP SECTIONS. HOOK DRIP EDGE OF EACH GRAVEL STOP SECTION ONTO CONTINUOUS CLEAT, ROTATE INTO PLACE, AND FASTEN 6" O.C. WITH PROVIDED FASTENERS.

④ 12'-0" GRAVEL STOP SECTIONS

② CONTINUOUS CLEAT

③ SPLICE PLATE

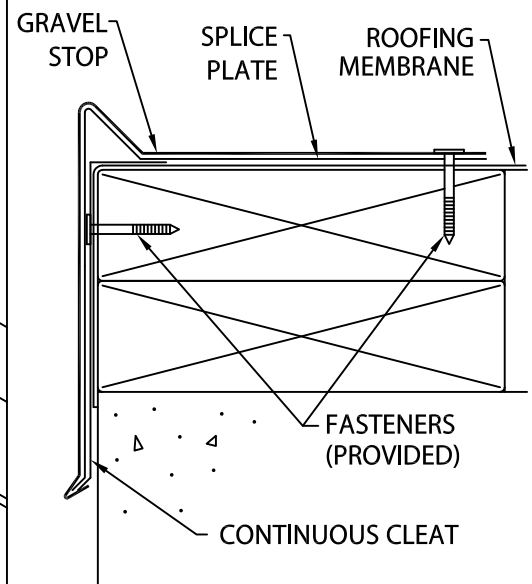
FASTEN GRAVEL STOP AND CONTINUOUS CLEAT WITH PROVIDED FASTENERS

⑤ 3/8" SPACE AT EACH JOINT

STEP ⑤ CONTINUE BY INSTALLING GRAVEL STOP SECTIONS ALLOWING A 3/8" SPACE BETWEEN SECTIONS AS SHOWN. FIELD CUT AS NECESSARY.

CAUTION : REMOVE PROTECTIVE FILM IMMEDIATELY AFTER INSTALLATION. INSTALLERS SHALL WEAR PROTECTIVE EYEWEAR TO PREVENT INJURY.

TYPICAL INSTALLATION



ELEVATE
26 CENTURY BLVD.
SUITE 205
NASHVILLE, TN 37214

CONTACT YOUR LOCAL ELEVATE REPRESENTATIVE

DATE: 03/23/23

DRN BY: MLM

CKD BY: MM

SHT.# ___ OF ___

DWG# 13110-1289

E