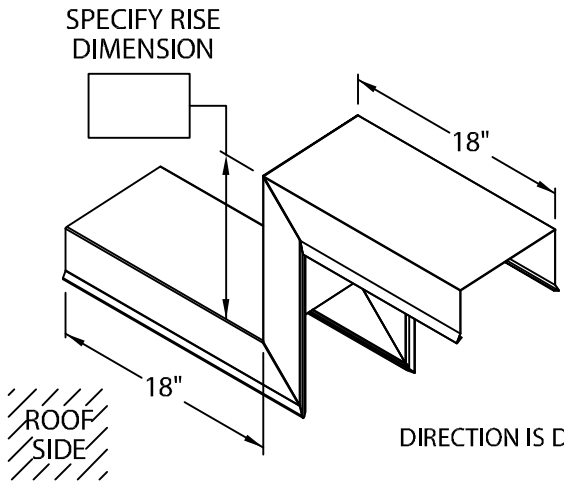
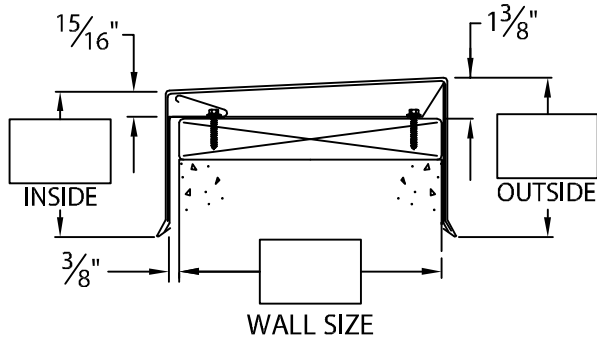
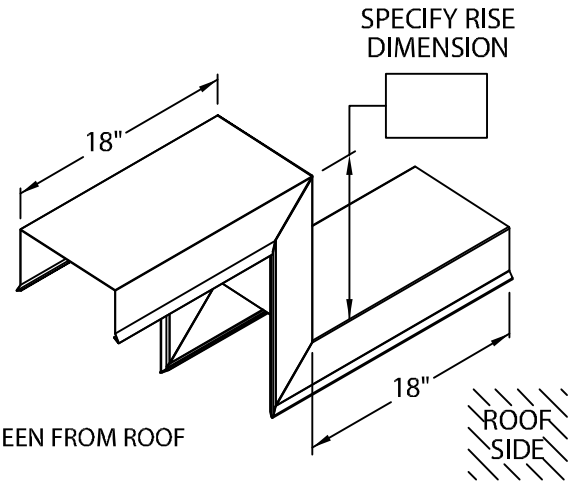


STEP-UP COPING MITERS



LEFT HAND STEP-UP MITER



RIGHT HAND STEP-UP MITER

DIRECTION IS DETERMINED AS SEEN FROM ROOF

FOR CUSTOM LEG LENGTHS MODIFY DRAWINGS ABOVE

NOTES:

① WELDED ACCESSORIES REQUIRE A MINIMUM MATERIAL THICKNESS OF .050".

MATERIAL:

- ___ 24 GA. GALVANIZED STEEL
 - ___ 22 GA. GALVANIZED STEEL
 - ___ .040" ALUMINUM
 - ___ .050" ALUMINUM
 - ___ .063" ALUMINUM
 - ___ OTHER _____
- COLOR: _____
- FINISH: _____

QUANTITIES:

___ RIGHT HAND STEP-UP MITER

___ LEFT HAND STEP-UP MITER

SPECIFY ACCESSORY TYPE:

- WELDED ①
- QUICKLOCK

AUTHORIZED SIGNATURE: _____

APPROVED BY: _____

DATE: _____

PROJECT: _____

ARCHITECT: _____

ROOFING CONTRACTOR: _____

REPRESENTATIVE/DISTRIBUTOR: _____

51 LEXINGTON STREET; LEWISTON, ME 04240
 CUSTOMER SERVICE: 800-223-8317 USA
 800-445-1500 CANADA
 TECHNICAL SERVICE: 800-445-1500 USA & CANADA
 FAX: 207-784-0125
 OTHER AREAS CALL: 207-784-0123



DATE: 03/17/17

DRN BY: JJC

CKD BY: SAK

SHT.# ____ OF ____

DWG# 16011-2463

E