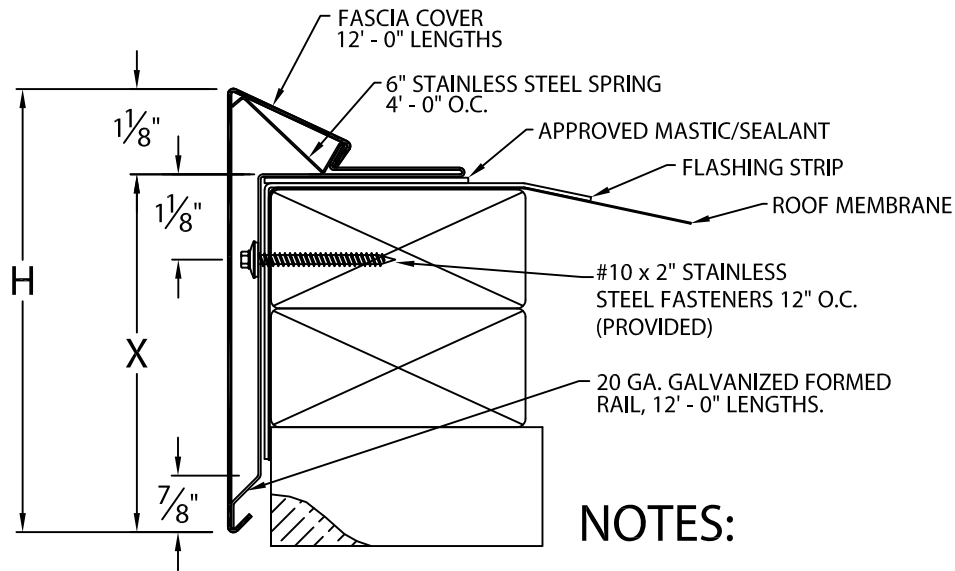




ONE EDGE

BUILT-UP OR MODIFIED VERSION

ANSI/SPRI ES-1 DESIGN PRESSURE OF 179 psf 24 GA., 22 GA. AND .040" COVER MATERIAL



NOTES:

1. SEALANTS AND ROOF MEMBRANE SUPPLIED BY OTHERS.
2. FASCIA COVER PROVIDED WITH 1" LAP JOINT.
3. RAIL MITERS ARE NOT PROVIDED (COVER ONLY).

FASCIA DIMENSIONS

PRODUCT ID. NO.	H DIM	X DIM	NAILER COVERAGE
<input type="checkbox"/> ESE-M50	5"	3 7/8"	2 NAILERS
<input type="checkbox"/> ESE-M65	6 1/2"	5 3/8"	3 NAILERS
<input type="checkbox"/> ESE-M80	8"	6 7/8"	4 NAILERS

MATERIAL:

- ___ 24 Ga. Galv. Steel
- ___ 22 Ga. Galv. Steel
- ___ .040" Aluminum
- ___ OTHER _____

Color: _____ Finish: _____

Fabrication will proceed only after receipt of signed print approval.

Print Approval:

Architect and/or contractor shall verify all dimensions, sizes and quantities. All products to be installed in strict accordance with Metal-Era's printed instructions.

Approved by: _____

Date: _____

QUANTITIES:

- _____ Lineal Feet 12'-0" Lengths
- _____ Outside Miter(s) @ 90° (Cover Only)
- _____ Inside Miter(s) @ 90° (Cover Only)

FOR NON-90 MITERS SEE PRINT APPROVAL #11010-1103

PROJECT:

ARCHITECT:

ROOFING CONTRACTOR:

REPRESENTATIVE/DISTRIBUTOR:

Corporate Offices, Manufacturing
1600 Airport Road; Waukesha, WI 53188
Phone: 800-558-2162
Fax: 800-373-9156
www.metalera.com



DATE: 11/12/18

SHT.# ___ OF ___

DRN BY: JJC

CKD BY: SAK

DWG# 24310-2726

