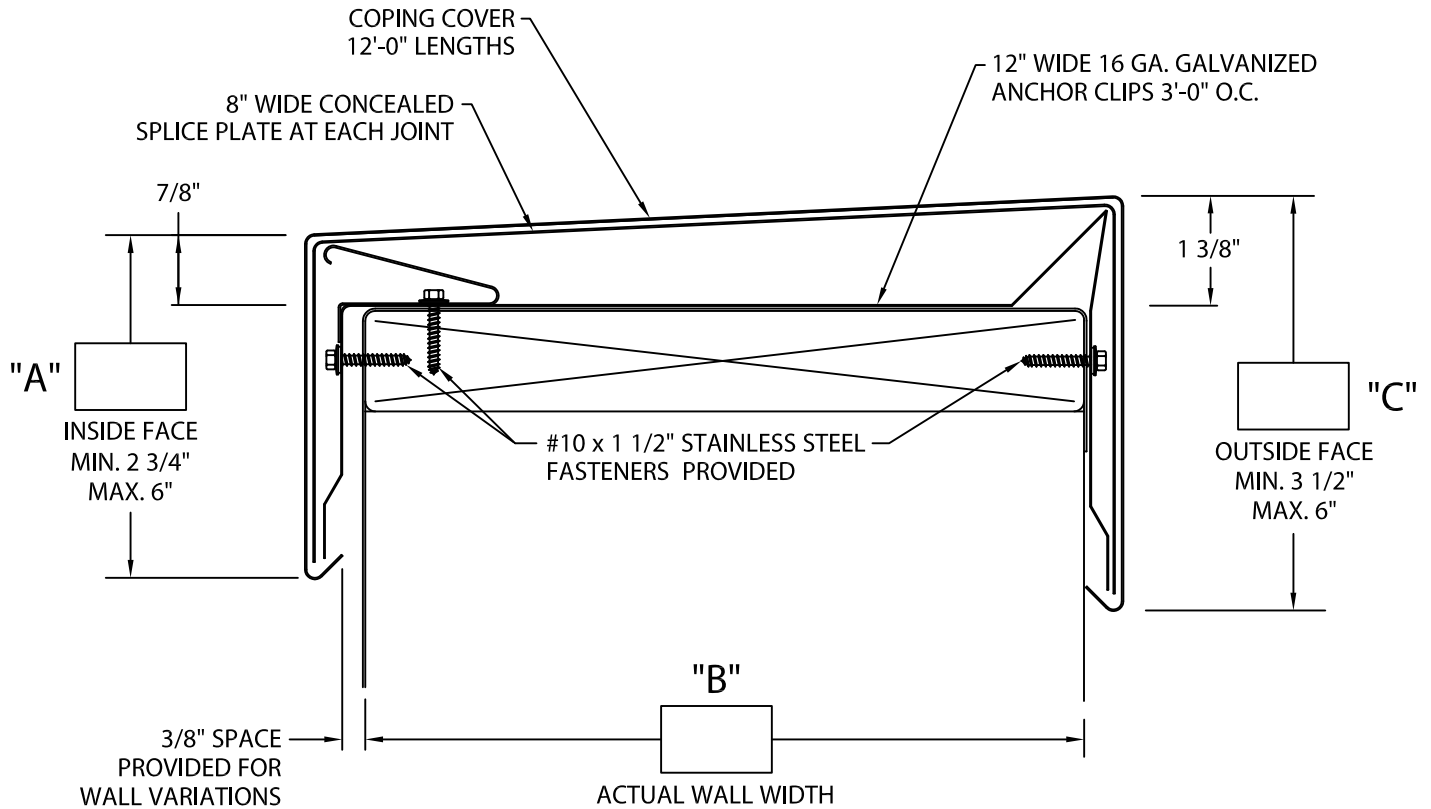




# PERMA-TITE GOLD COPING

TAPERED VERSION

24 GA. & .050", UP TO 16" WALL ANSI/SPRI ES-1 DESIGN PRESSURE OF 290 psf



Coping is to be installed per Specifications and Metal-Era's Installation Instruction Dwg. # 11111-15475.

- Concealed splice plates are provided with factory applied dual non-curing sealant strips.
- Unless otherwise noted, fabrication of miters and accessories are furnished standard utilizing a non-penetrating quicklock joint, then factory sealed watertight.

- Welded Miters and Accessories  
Check one  Required (surcharge)  Not applicable

Fabrication will proceed only after receipt of signed print approval.

## Print Approval:

Architect and/or contractor shall verify all dimensions, sizes and quantities. All products to be installed in strict accordance with Metal-Era's printed instructions.

Approved by: \_\_\_\_\_

Date: \_\_\_\_\_

### MATERIAL:

- \_\_\_ 24 Ga. Galv.
  - \_\_\_ .040" Alum.
  - \_\_\_ .050" Alum.
  - \_\_\_ .063" Alum.
  - \_\_\_ OTHER \_\_\_\_\_
- Color: \_\_\_\_\_  
Finish: \_\_\_\_\_

### QUANTITIES:

- \_\_\_\_\_ Lineal Feet 12'-0" Lengths
- \_\_\_\_\_ Outside Miters @ (\_\_\_\_\_)°
- \_\_\_\_\_ Inside Miters @ (\_\_\_\_\_)°
- \_\_\_\_\_ Right End Caps
- \_\_\_\_\_ Left End Caps

PROJECT: \_\_\_\_\_

ARCHITECT: \_\_\_\_\_

ROOFING CONTRACTOR: \_\_\_\_\_

REPRESENTATIVE/DISTRIBUTOR: \_\_\_\_\_

Corporate Offices, Manufacturing  
1600 Airport Road; Waukesha, WI 53188  
Phone: 800-558-2162  
Fax: 800-373-9156  
www.metalera.com



DATE: 03/10/17

DRN BY: JAB

CKD BY: SAK

SHT.# \_\_\_\_ OF \_\_\_\_

DWG# 11011-15362

**E**