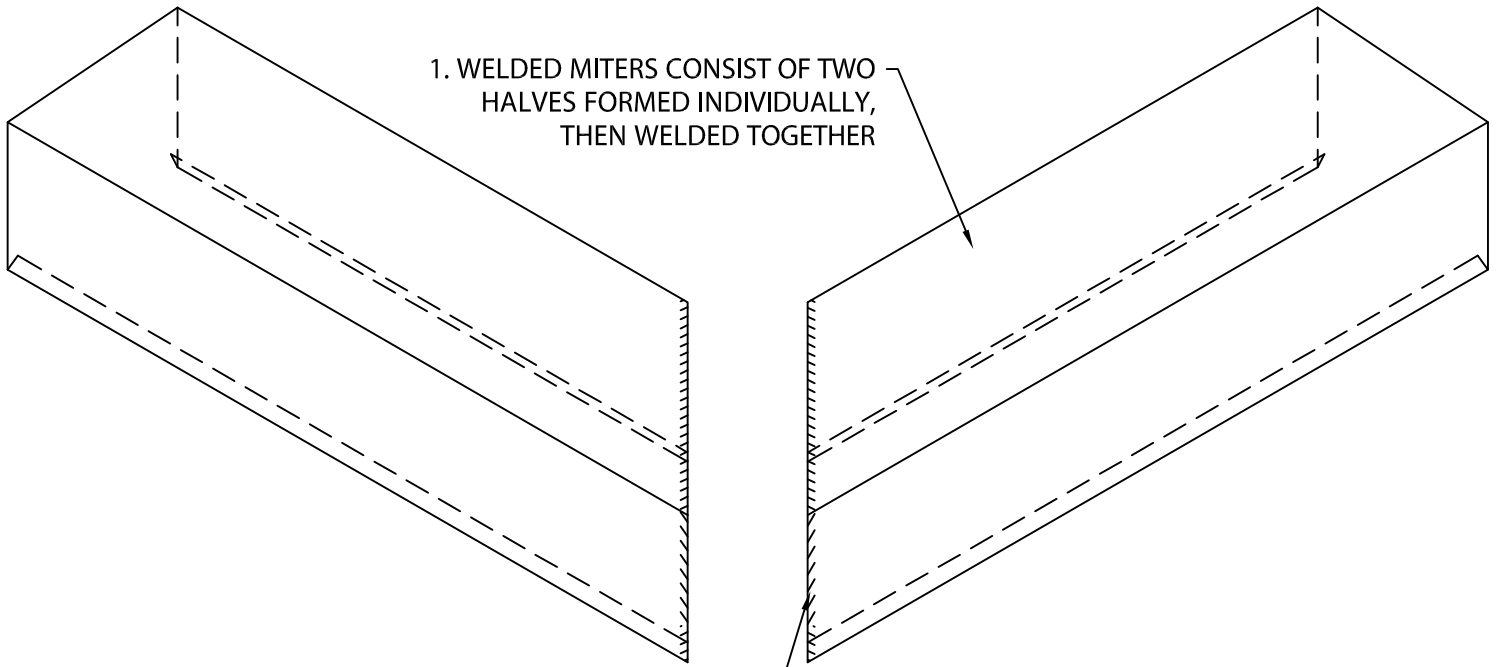


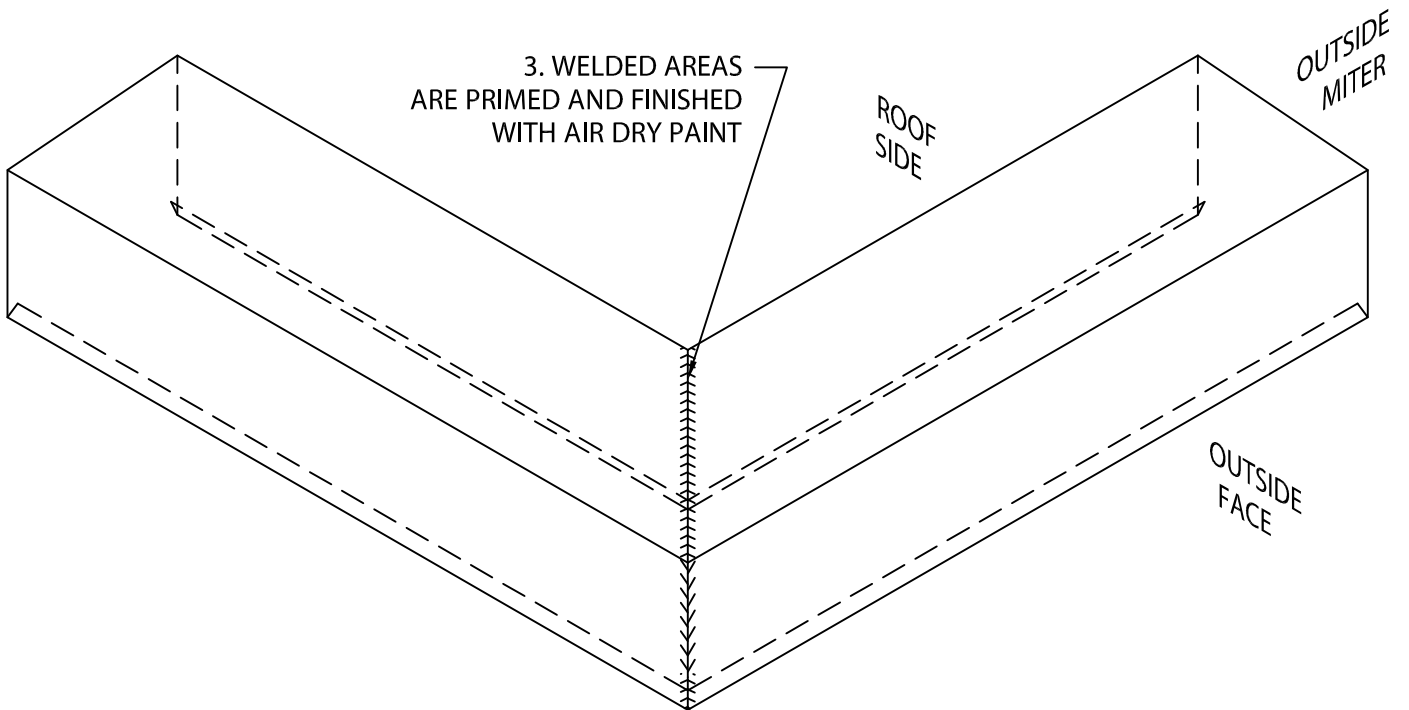
# PRESTO-LOCK COPING MITERS

WELDED PRE-FINISHED MITER ASSEMBLY



1. WELDED MITERS CONSIST OF TWO HALVES FORMED INDIVIDUALLY, THEN WELDED TOGETHER

2. PAINT IS GROUND OFF EDGES TO BE WELDED



3. WELDED AREAS ARE PRIMED AND FINISHED WITH AIR DRY PAINT

WELDED MITERS ARE FABRICATED WITH WELDED OUTSIDE CORNERS