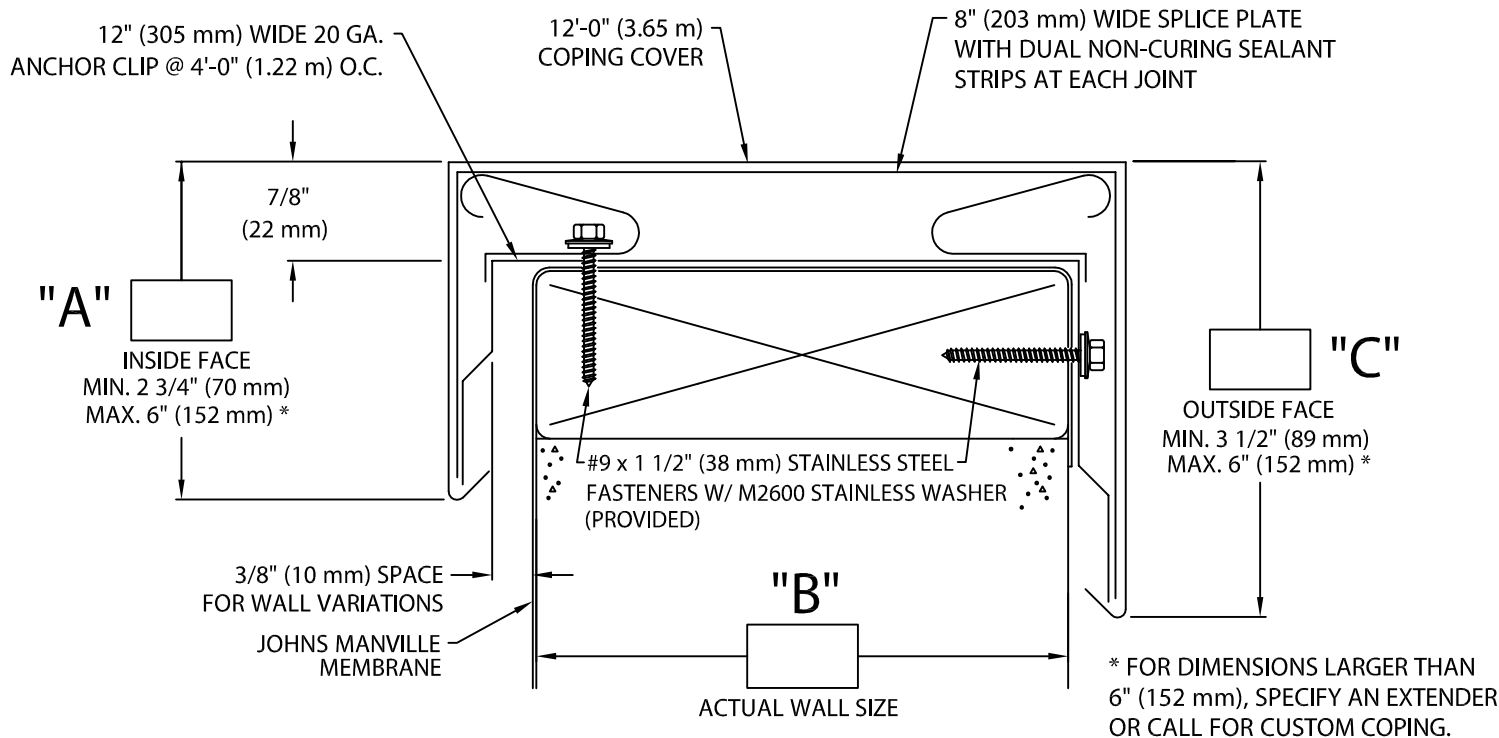




PRESTO-LOCK COPING

FLAT VERSION

ANSI/SPRI ES-1 TESTED



Coping is to be installed per Specifications and Johns Manville's Installation Instruction Dwg. # 16111-1893

- Concealed splice plates are provided with factory applied dual non-curing sealant strips.
- Unless otherwise noted, fabrication of miters and accessories are furnished standard utilizing a non-penetrating Quicklock joint, then factory sealed watertight.

- Welded Miters and Accessories
Check one Required (surcharge) Not applicable

Fabrication will proceed only after receipt of signed print approval.

Print Approval:

Architect and/or contractor shall verify all dimensions, sizes and quantities. All products to be installed in strict accordance with Johns Manville's printed instructions.

Approved by: _____

Date: _____

MATERIAL:

- ___ 24 Ga. (0.65 mm) Galv.
- ___ .040" (1.01 mm) Alum. Color: _____
- ___ .050" (1.27 mm) Alum.
- ___ .063" (1.60 mm) Alum. Finish: _____
- ___ OTHER _____

QUANTITIES:

- _____ Lineal Feet 12'-0" (3.65 m) Lengths
- _____ Outside Miters @ (_____)°
- _____ Inside Miters @ (_____)°
- _____ Right End Caps
- _____ Left End Caps

PROJECT: _____

ARCHITECT: _____

ROOFING CONTRACTOR: _____

REPRESENTATIVE/DISTRIBUTOR: _____

51 Lexington Street; Lewiston, ME 04240
 CUSTOMER SERVICE: 800-223-8317 USA
 800-445-1500 Canada
 TECHNICAL SERVICE: 800-445-1500 USA & Canada
 FAX: 207-784-0125
 OTHER AREAS CALL: 207-784-0123



DATE: 01/19/10 SHT.# _____ OF _____

DRN BY: JJC

CKD BY: SAK DWG# 16011-2174 E