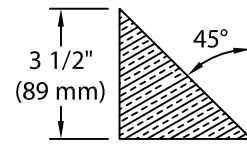
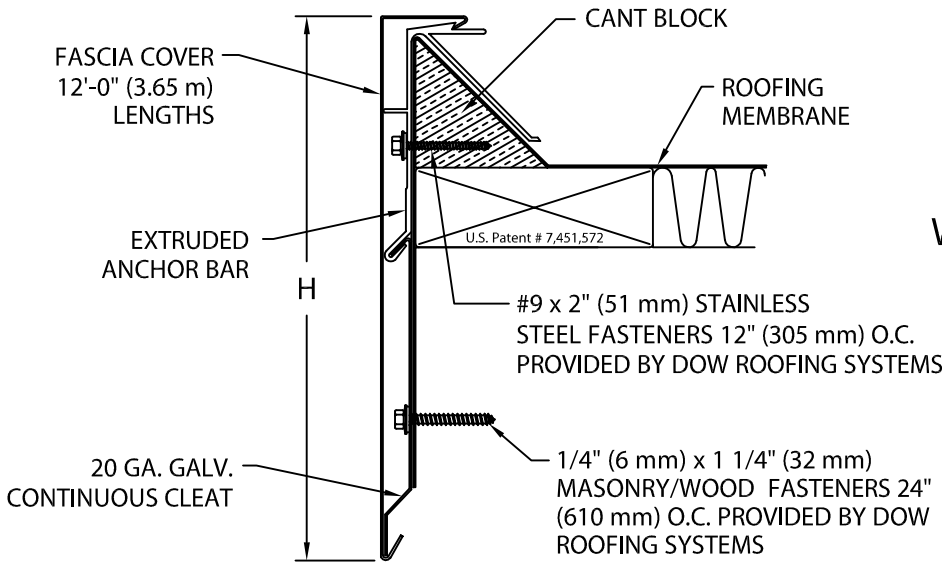


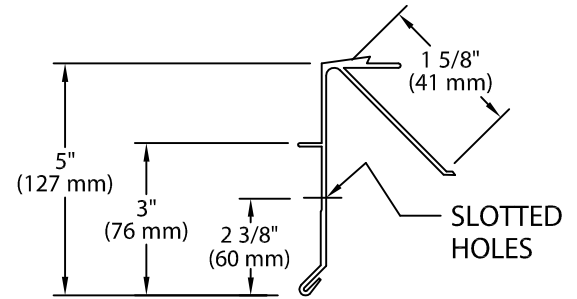
DOW EXTENDED CANTED FASCIA

EXISTING BEVELED WOOD NAILER VERSION

ANSI/SPRI ES-1 DESIGN PRESSURE OF 190 psf



WOOD CANT PROFILE



EXTRUDED PROFILE

NOTE: 3 1/2" (89 mm) SPLICE PLATES PROVIDED AT ALL JOINTS

Fascia is to be installed per Specifications and Dow Roofing Systems' Installation Instructions Dwg. # 12110-2950

DOW EXTENDED CANTED FASCIA DIMENSIONS

NOA NO. 08-0604.02
MIAMI-DADE COUNTY, FLORIDA
12/11/13

PRODUCT ID. NO.	H DIM
<input type="checkbox"/> AEFC-S900	9" (229 mm)
<input type="checkbox"/> AEFC-S1050	10 1/2" (267 mm)
<input type="checkbox"/> AEFC-S1200	12" (305 mm)
<input type="checkbox"/> AEFC-S1350	13 1/2" (343 mm)

MATERIAL:

- ___ .050" (1.27 mm) Aluminum
- ___ .063" (1.60 mm) Aluminum
- ___ OTHER _____

Color: _____

Finish: _____

QUANTITIES:

- _____ Lineal Feet (12'-0" (3.65 m) Lengths)
- _____ Outside Miters @ (____)°
- _____ Inside Miters @ (____)°
- _____ Overflow Scupper Style ___A___B
- _____ Spillout Scupper Style ___A___B
- _____ Downspout Scupper Style ___A___B
- (____X____) Size A: Tapered 1 1/2" (38 mm) Drop
B: Flat

Fabrication will proceed only after receipt of signed print approval.

Print Approval:

Architect and/or contractor shall verify all dimensions, sizes and quantities. All products to be installed in strict accordance with Dow Roofing Systems' printed instructions.

Approved by: _____

Date: _____

PROJECT:

ARCHITECT:

ROOFING CONTRACTOR:

REPRESENTATIVE/DISTRIBUTOR:

Corporate Offices
Dow Roofing Systems
Nine Sullivan Road
Holyoke, MA 01040
P: 800-621-ROOF



ROOFING SYSTEMS

DATE: 02/24/09

DRN BY: JJC

CKD BY: SAK

SHT.# ___ OF ___

DWG# 12010-2951

H