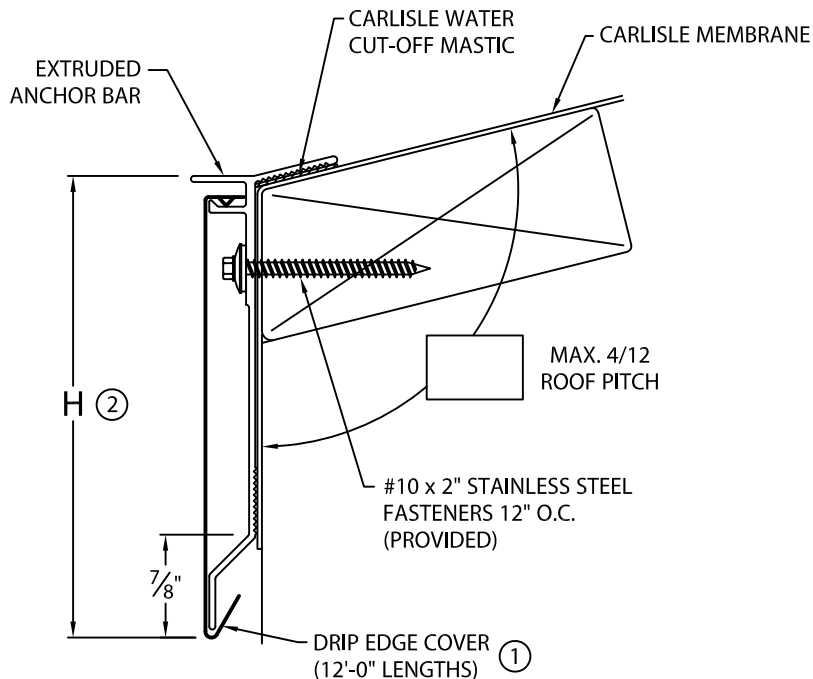


# SECUREDGE 2000 DRIP EDGE

PITCHED ROOF FLANGE VERSION

ANSI/SPRI ES-1 TESTED

U.S. PATENT #9,284,734 B1



**NOTES:**

- ① FASCIA COVER PROVIDED WITH 1" LAP JOINTS.
- ② TYPICALLY COVERAGE SHOULD EXTEND A MIN. OF 1½" BELOW WOOD BLOCKING IF APPLICABLE

**SECUREDGE 2000 DRIP EDGE DIMENSIONS**

PRODUCT ID. NO.	H DIM
<input type="checkbox"/> AFDE-30	3"
<input type="checkbox"/> AFDE-45	4½"
<input type="checkbox"/> AFDE-60	6"
<input type="checkbox"/> AFDE-75	7½"

Fabrication will proceed only after receipt of signed print approval.

**Print Approval:**

Architect and/or contractor shall verify all dimensions, sizes and quantities. All products to be installed in strict accordance with Carlisle's printed instructions.

Approved by: \_\_\_\_\_

Date: \_\_\_\_\_

**MATERIAL:**

- \_\_\_ 24 GA. GALVANIZED STEEL
- \_\_\_ .040" ALUMINUM
- \_\_\_ OTHER \_\_\_\_\_

COLOR: \_\_\_\_\_

FINISH: \_\_\_\_\_

**QUANTITIES:**

- \_\_\_\_\_ LINEAL FEET 12'-0" LENGTHS
- \_\_\_\_\_ OUTSIDE MITER(S) @ 90°
- \_\_\_\_\_ INSIDE MITER(S) @ 90°

FOR NON-90 MITERS SEE PRINT APPROVAL #15010-1625

PROJECT:

ARCHITECT:

ROOFING CONTRACTOR:

REPRESENTATIVE/DISTRIBUTOR:

**Customer Service**  
866-458-3537  
(Metal-Era)



DATE: 09/10/19

DRN BY: JJC

CKD BY: JAI

SHT.# \_\_\_\_ OF \_\_\_\_

DWG# 15010-32227

**B**