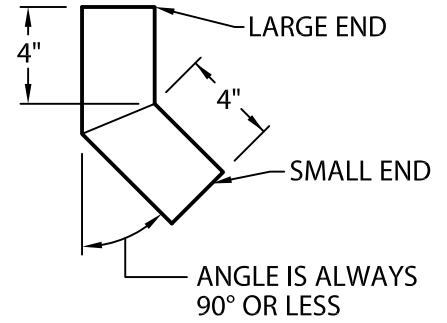
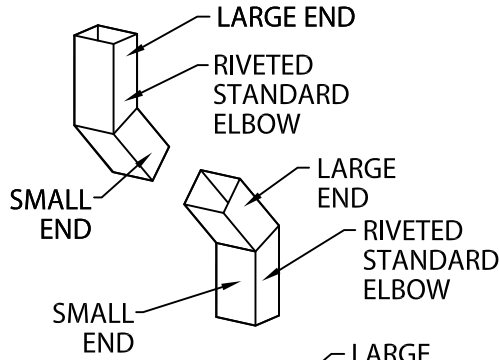
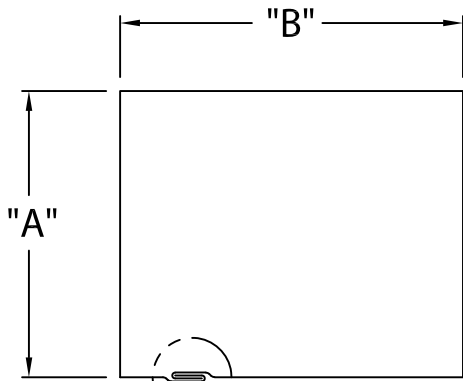


INDUSTRIAL DOWNSPOUT

CLOSED FACE VERSION



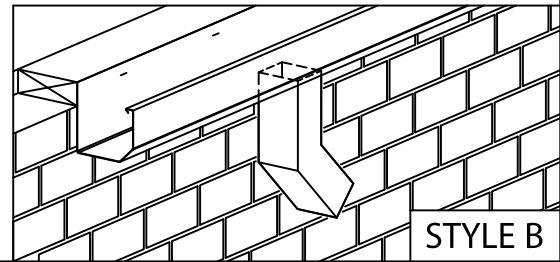
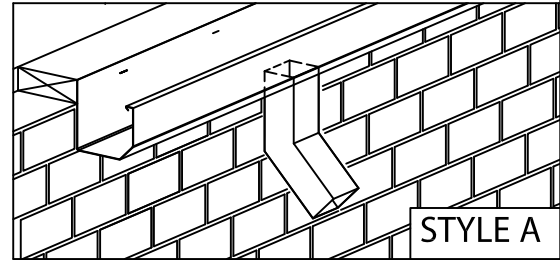
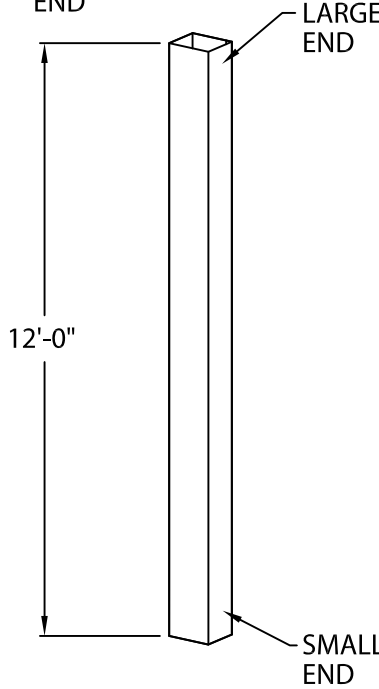
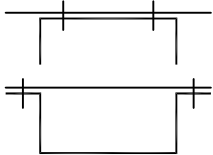
STANDARD ELBOW

DOWNSPOUT STRAPS

(SELECT STYLE BELOW, IF STYLE IS NOT SELECTED STYLE 2 WILL BE PROVIDED)

STYLE 1

STYLE 2



Fabrication will proceed only after receipt of signed print approval.

Print Approval:

Architect and/or contractor shall verify all dimensions, sizes and quantities. All products to be installed in strict accordance with with Versico, Inc.'s printed instructions.

Approved by: _____

Date: _____

MATERIAL:

___ 24 GA. GALVANIZED STEEL

___ .040" ALUMINUM

___ .050" ALUMINUM

___ .063" ALUMINUM

___ OTHER _____

COLOR: _____ FINISH: _____

QUANTITIES:

_____ LINEAL FEET 12'-0" LENGTHS SIZE _____" x _____"

_____ OUTLETS

_____ STANDARD ELBOWS (_____°) STYLE: A ___ B ___

_____ STANDARD ELBOWS (_____°) STYLE: A ___ B ___

PROJECT:

ARCHITECT:

ROOFING CONTRACTOR:

REPRESENTATIVE/DISTRIBUTOR:

Customer Service
800-558-2162
(Metal-Era)



DATE: 02/06/19

DRN BY: JJC

CKD BY: SAK

SHT.# ___ OF ___

DWG# 18013-30547

A