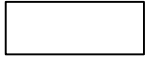


WELDED RADIUS DRIP EDGE

WITH CONTINUOUS CLEAT

PROVIDING A RADIUS
THE RADIUS MAY BE PROVIDED
IN ONE OF TWO METHODS:

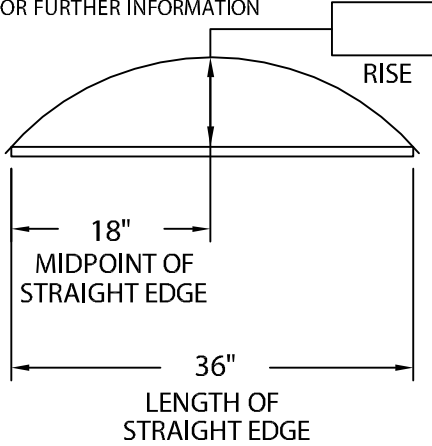
1.) THE ACTUAL KNOWN RADIUS IS



OR

2.) FIELD CONDITION MEASUREMENTS

NOTE: REFER TO ATTACHED WORKSHEET
FOR FURTHER INFORMATION

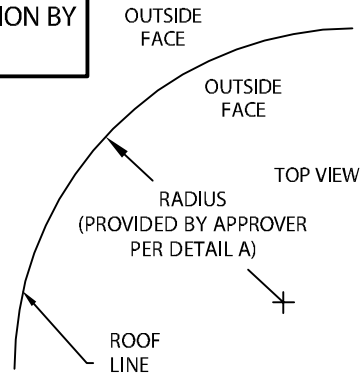
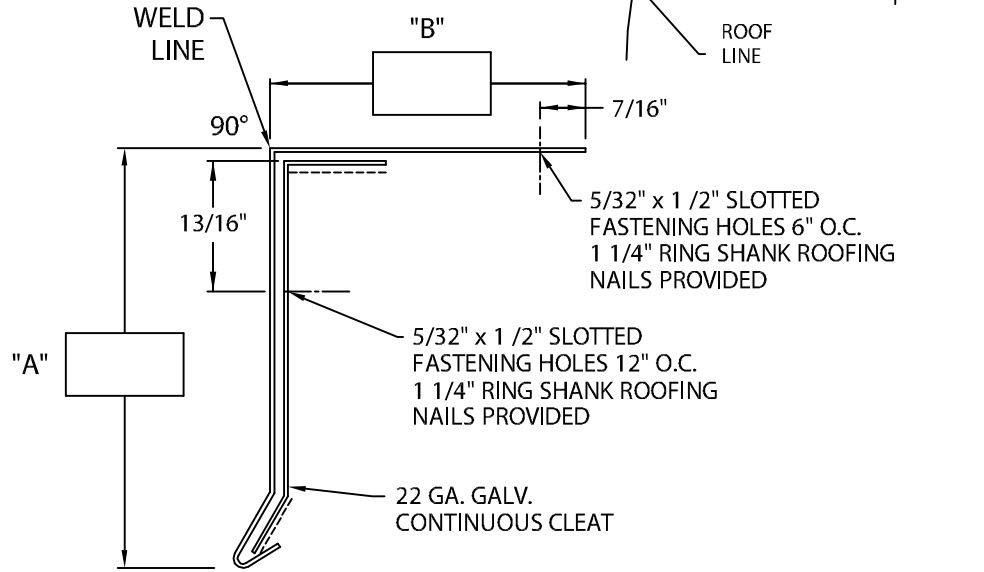


NOTE: CHECK MEASUREMENTS ALONG ENTIRE RADIUS.

DETAIL A

IMPORTANT!!! MUST INDICATE PROPER RADIUS CONDITION BY
CIRCLING APPROPRIATE OUTSIDE FACE

----- INDICATES AREAS THAT WILL BE SLIT AS
NEEDED TO ACCOMMODATE RADIUS



NOTES: -- 6" (152 mm) wide concealed splice plates provided.
-- Concealed splice plate must be field caulked to prevent water entry.

Fabrication will proceed only after receipt of signed print approval.

Print Approval:

Architect and/or contractor shall verify all dimensions, sizes and quantities. All products to be installed in strict accordance with Johns Manville's printed instructions.

Approved by: _____

Date: _____

MATERIAL:

Flange - .080 (2.03 mm) Alum.

Face - .063" (1.60 mm) Alum.

Color: _____

Finish: _____

QUANTITIES:

_____ Lineal Feet (4'-0" (1.22 m) Lengths)

PROJECT:

ARCHITECT:

ROOFING CONTRACTOR:

REPRESENTATIVE/DISTRIBUTOR:

51 Lexington Street; Lewiston, ME 04240
CUSTOMER SERVICE: 800-223-8317 USA
800-445-1500 Canada
TECHNICAL SERVICE: 800-445-1500 USA & Canada
FAX: 207-784-0125
OTHER AREAS CALL: 207-784-0123



DATE: 04/07/17

DRN BY: JJC

CKD BY: SAK

SHT.# ___ OF ___

DWG# 16010-26128

A