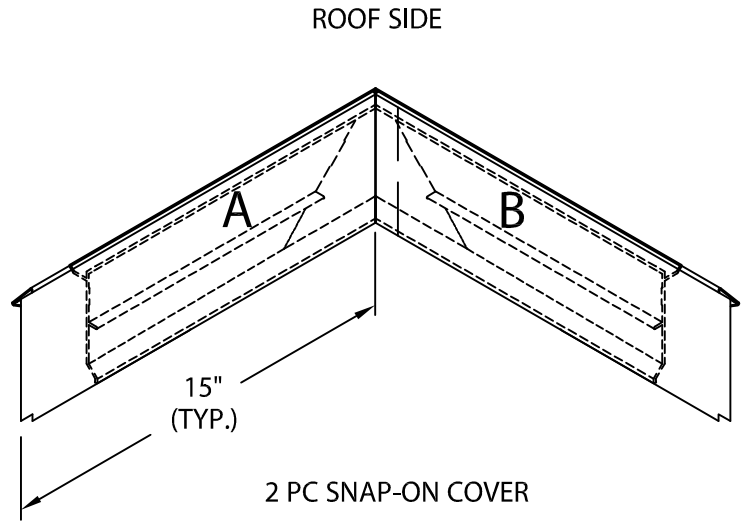
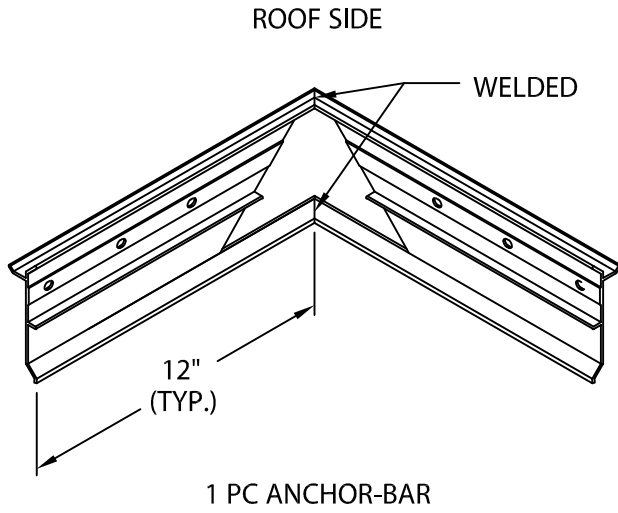


# DOW STANDARD FASCIA

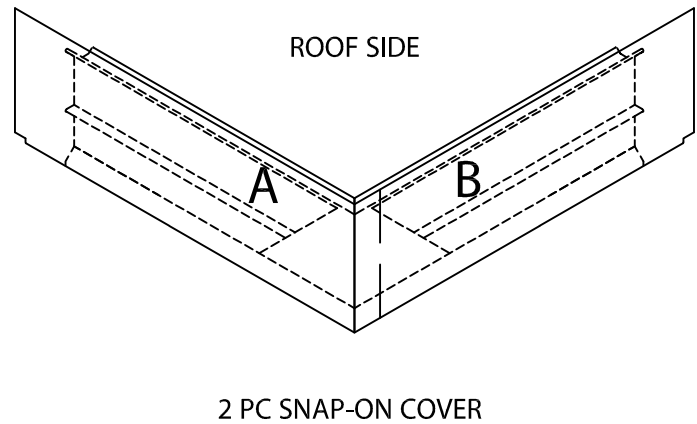
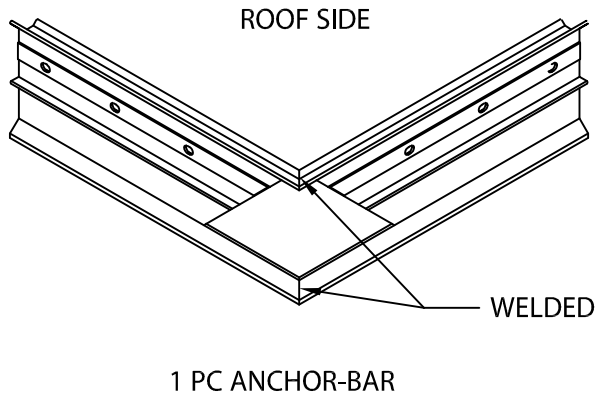
MITERS - FACTORY WELDED CONSTRUCTION

## INSIDE MITER



FASTENERS INCLUDED

## OUTSIDE MITER



NOTE: TREATED WOOD NAILERS REQUIRED.

PROJECT:	Corporate Offices Dow Roofing Systems Nine Sullivan Road Holyoke, MA 01040 P: 800-621-ROOF
ARCHITECT:	
ROOFING CONTRACTOR:	
REPRESENTATIVE/DISTRIBUTOR:	



**ROOFING SYSTEMS**

DATE: 02/19/09	SHT.# ___ OF ___
DRN BY: JJC	DWG# 12510-2881
CKD BY: SAK	