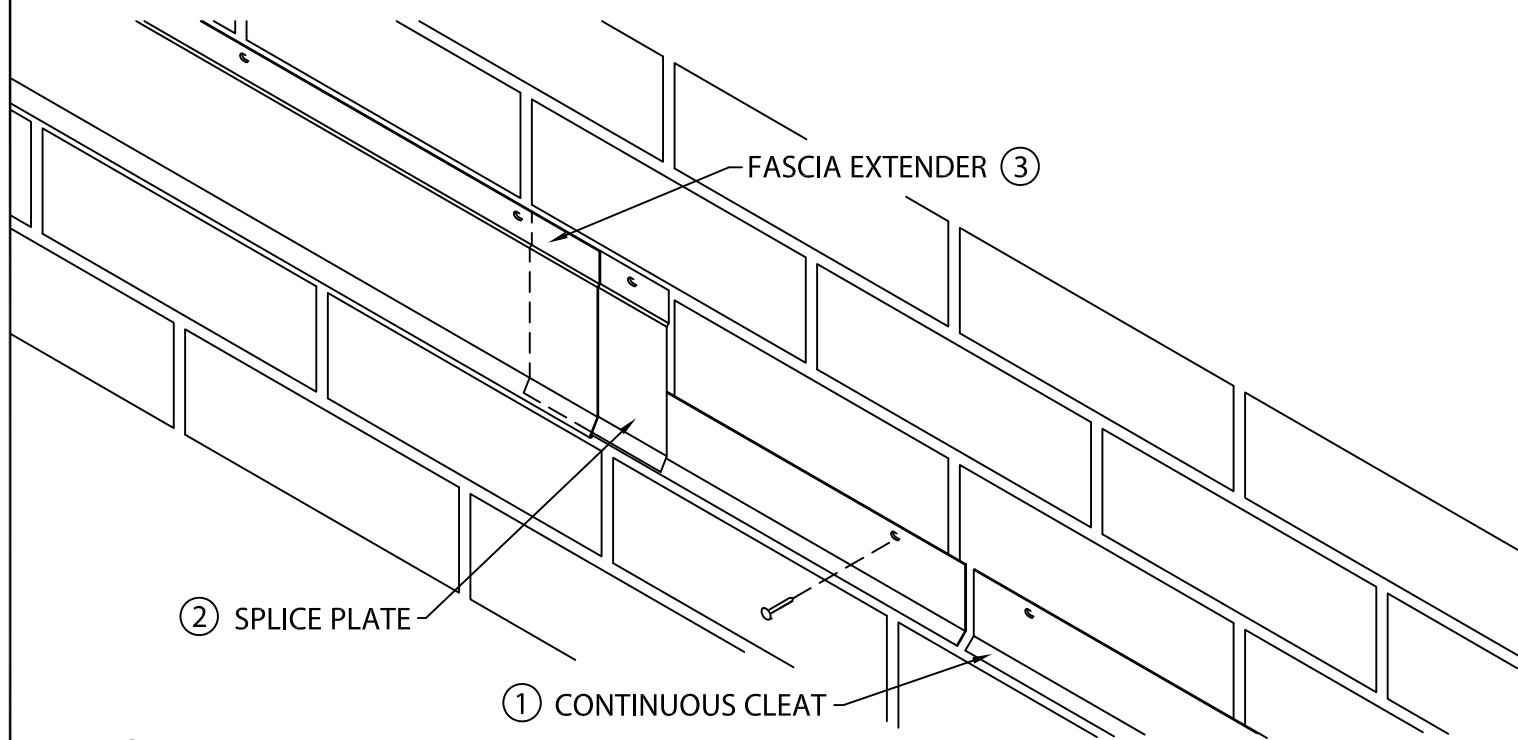


FASCIA EXTENDER

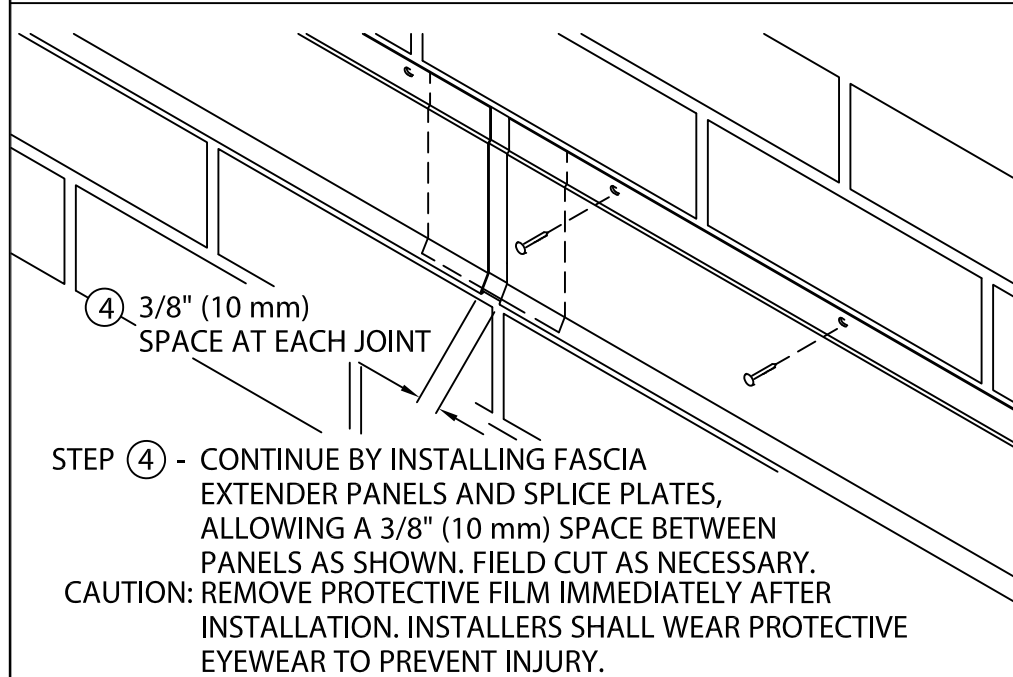
SPLICE PLATE VERSION

INSTALLATION INSTRUCTIONS

NOTE : INSTALL MITERS FIRST.

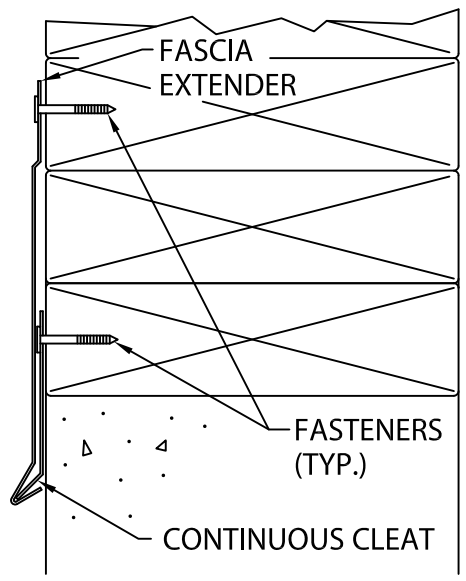


- STEP ① - CAREFULLY POSITION AND FASTEN CONTINUOUS CLEAT 12" (305 mm) O.C. AS SHOWN WITH APPROPRIATE FASTENERS. CLEAT SHALL BE INSTALLED TRUE AND LEVEL.
- STEP ② - LOCATE AND FASTEN 3 1/2" (89 mm) WIDE SPLICE PLATES AT EACH JOINT.
- STEP ③ - HOOK DRIP EDGE OF EACH FASCIA EXTENDER ONTO CONTINUOUS CLEAT, AND FASTEN WITH APPROPRIATE FASTENERS AT 12" (305 mm) O.C.



- STEP ④ - CONTINUE BY INSTALLING FASCIA EXTENDER PANELS AND SPLICE PLATES, ALLOWING A 3/8" (10 mm) SPACE BETWEEN PANELS AS SHOWN. FIELD CUT AS NECESSARY.
- CAUTION: REMOVE PROTECTIVE FILM IMMEDIATELY AFTER INSTALLATION. INSTALLERS SHALL WEAR PROTECTIVE EYEWEAR TO PREVENT INJURY.

TYPICAL INSTALLATION
(Substrate may vary per job conditions.)



Phone: 800-588-2162
Fax: 800-373-9156
www.metalera.com/genflex

DATE: 03/11/21
DRN BY: JJC
CKD BY: MM

SHT.# ___ OF ___
DWG# 22114-2409

C