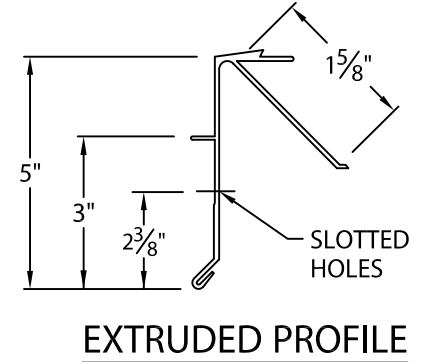
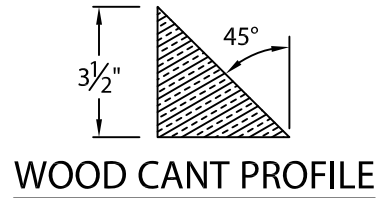
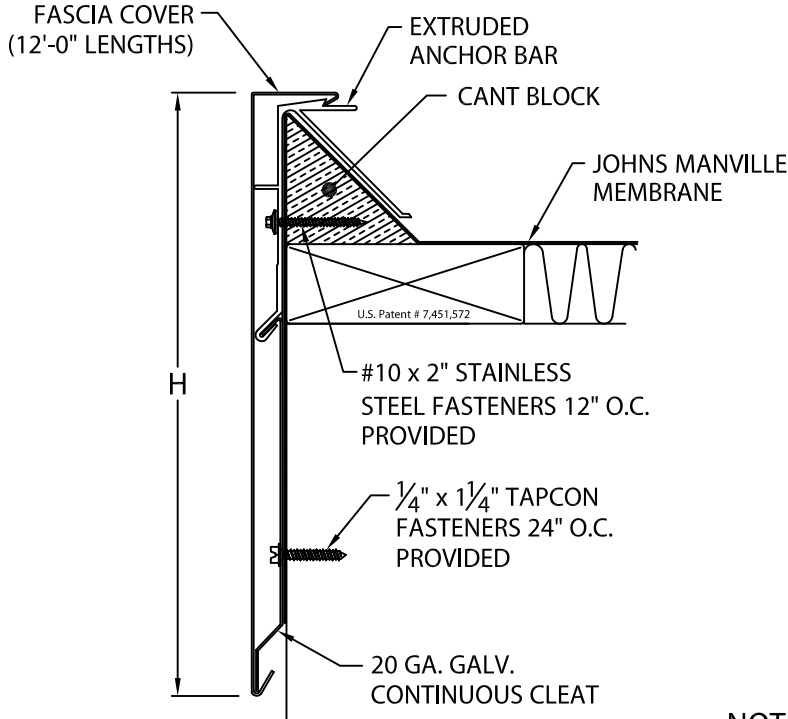


PRESTO-TITE LARGE FACE HEIGHT CANTED FASCIA

EXISTING BEVELED WOOD NAILER VERSION

ANSI/SPRI ES-1 DESIGN PRESSURE OF 190 psf



NOTE: 3 1/2" SPLICE PLATES PROVIDED AT ALL JOINTS

PRESTO-TITE LARGE FACE HEIGHT CANTED FASCIA DIMENSIONS

PRODUCT ID. NO.	H DIM
<input type="checkbox"/> AEFC-900	9"
<input type="checkbox"/> AEFC-1050	10 1/2"
<input type="checkbox"/> AEFC-1200	12"
<input type="checkbox"/> AEFC-1350	13 1/2"

MATERIAL:

___ 22 GA. GALV. STEEL ___ .063" ALUMINUM

___ .050" ALUMINUM ___ OTHER _____

COLOR: _____ FINISH: _____

Fabrication will proceed only after receipt of signed print approval.

Print Approval:

Architect and/or contractor shall verify all dimensions, sizes and quantities. All products to be installed in strict accordance with Johns Manville's printed instructions.

Approved by: _____

Date: _____

QUANTITIES:

_____ LINEAL FEET 12'-0" LENGTHS

_____ OUTSIDE MITER(S) @ (90 °)

_____ INSIDE MITER(S) @ (90 °)

_____ OVERFLOW SCUPPER(S) STYLE ___ A ___ B

_____ SPILLOUT SCUPPER(S) STYLE ___ A ___ B

_____ DOWNSPOUT SCUPPER(S) STYLE ___ A ___ B

(_____ X _____) SIZE A: TAPERED 1 1/2" DROP
B: FLAT

FOR NON-90 MITERS SEE PRINT APPROVAL #16010-2320

PROJECT: _____

ARCHITECT: _____

ROOFING CONTRACTOR: _____

REPRESENTATIVE/DISTRIBUTOR: _____

51 Lexington Street; Lewiston, ME 04240
 CUSTOMER SERVICE: 800-223-8317 USA
 800-445-1500 Canada
 TECHNICAL SERVICE: 800-445-1500 USA & Canada
 FAX: 207-784-0125
 OTHER AREAS CALL: 207-784-0123



DATE: 06/29/17 SHT.# ___ OF ___

DRN BY: JAB

CKD BY: SAK DWG# 16010-2563 H