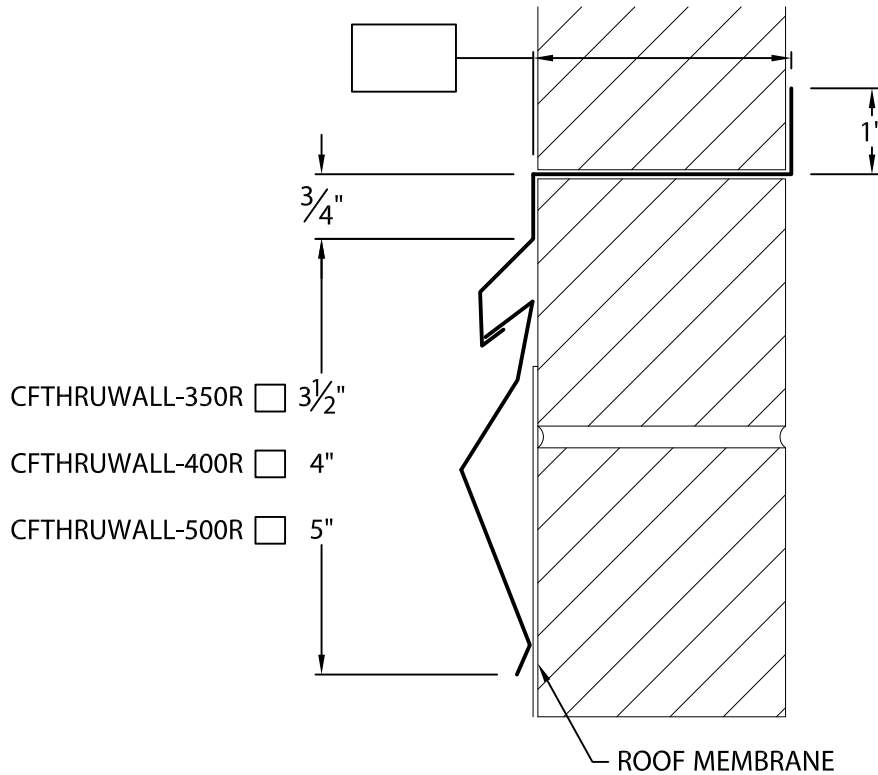


2 PC COUNTERFLASHING

THRU-WALL VERSION



NOTE: PRE-NOTCHED LAP JOINT 3"

Fabrication will proceed only after receipt of signed print approval.

Print Approval:

Architect and/or contractor shall verify all dimensions, sizes and quantities. All products to be installed in strict accordance with Carlisle SynTec, Inc.'s printed instructions.

Approved by: _____

Date: _____

MATERIAL:

__ 24 GA. GALVANIZED STEEL

__ .040" ALUMINUM COLOR: _____

__ .050" ALUMINUM FINISH: _____

__ OTHER _____

QUANTITIES:

_____ LINEAL FEET 12'-0" LENGTHS

PROJECT:

ARCHITECT:

ROOFING CONTRACTOR:

REPRESENTATIVE/DISTRIBUTOR:

Customer Service
866-458-3537
(Metal-Era)



DATE: 02/14/17

DRN BY: JAB

CKD BY: SAK

SHT.# ___ OF ___

DWG# 15015-24489

B