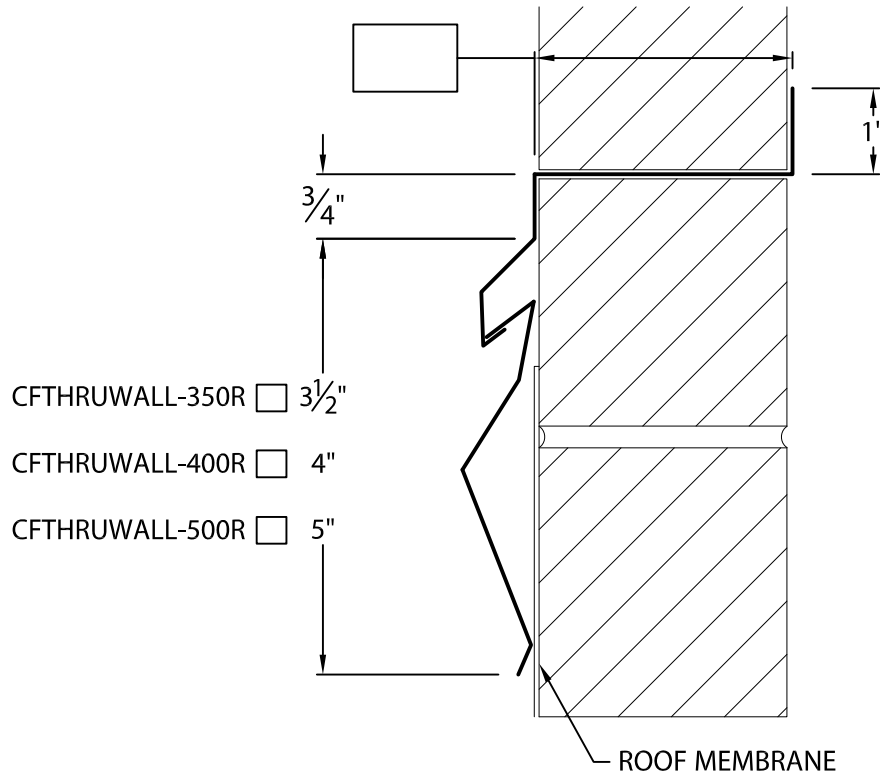


2 PC COUNTERFLASHING

THRU-WALL VERSION



NOTE: PRE-NOTCHED LAP JOINT 3"

Fabrication will proceed only after receipt of signed print approval.

Print Approval:

Architect and/or contractor shall verify all dimensions, sizes and quantities. All products to be installed in strict accordance with GenFlex's printed instructions.

Approved by: _____

Date: _____

MATERIAL:

24 GA. GALVANIZED STEEL

.040" ALUMINUM COLOR: _____

.050" ALUMINUM FINISH: _____

OTHER _____

QUANTITIES:

_____ LINEAL FEET 12'-0" LENGTHS

PROJECT:

ARCHITECT:

ROOFING CONTRACTOR:

REPRESENTATIVE/DISTRIBUTOR:

Customer Service

Phone: 800-558-2162

Fax: 800-373-9156

www.metalera.com/genflex

GENFLEX

DATE: 03/01/21

DRN BY: JJC

CKD BY: MM

SHT.# ___ OF ___

DWG# 22015-24495

C