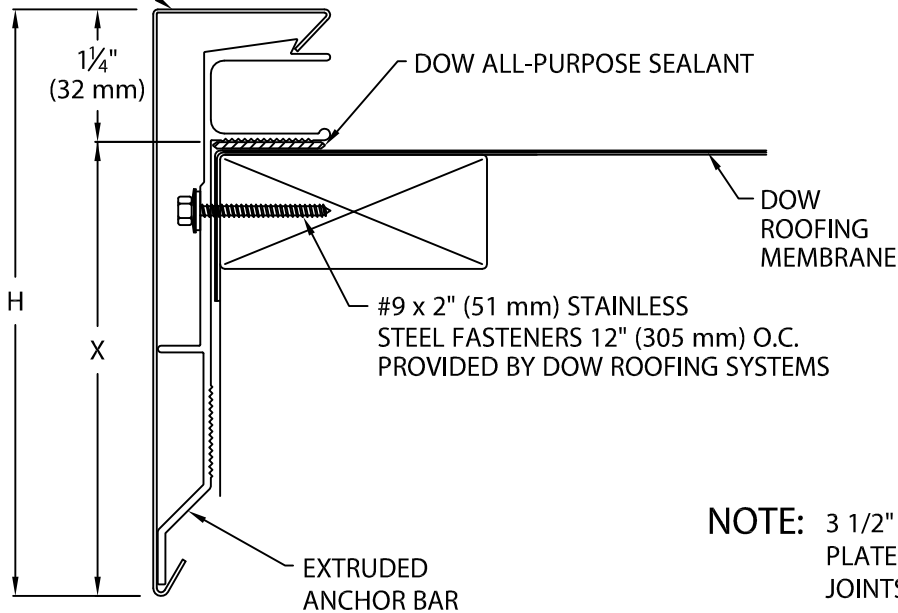


DOW HG FASCIA

ANSI/SPRI ES-1 TESTED

FASCIA COVER
12'-0" (3.65 m)
LENGTHS



NOTE: 3 1/2" (89 mm) SPLICE PLATES PROVIDED AT ALL JOINTS

Fascia is to be installed per Specifications and Dow Roofing Systems' Installation Instructions Dwg. # 12110-5669

DOW HG FASCIA DIMENSIONS

PRODUCT ID. NO.	H DIM	X DIM	NAILER COVERAGE
<input type="checkbox"/> HG-SB-40	4" (102 mm)	2 3/4" (70 mm)	1 NAILER
<input type="checkbox"/> HG-SB-55	5 1/2" (140 mm)	4 1/4" (108 mm)	2 NAILERS
<input type="checkbox"/> HG-SB-70	7" (178 mm)	5 3/4" (146 mm)	3 NAILERS

MATERIAL:

- ___ .050" (1.27 mm) Aluminum
- ___ .063" (1.60 mm) Aluminum
- ___ OTHER _____

Color: _____
Finish: _____

Fabrication will proceed only after receipt of signed print approval.

Print Approval:

Architect and/or contractor shall verify all dimensions, sizes and quantities. All products to be installed in strict accordance with Dow Roofing Systems' printed instructions.

Approved by: _____
Date: _____

QUANTITIES:

- _____ Lineal Feet (12'-0" (3.65 m) Lengths)
- _____ Outside Miters @ (____°)
- _____ Inside Miters @ (____°)
- _____ Overflow Scupper Style ___A___B
- _____ Spillout Scupper Style ___A___B
- _____ Downspout Scupper Style ___A___B
- (____X____) Size A: Tapered 1 1/2" (38 mm) Drop
B: Flat

PROJECT:	Corporate Offices Dow Roofing Systems Nine Sullivan Road Holyoke, MA 01040 P: 800-621-ROOF
ARCHITECT:	
ROOFING CONTRACTOR:	
REPRESENTATIVE/DISTRIBUTOR:	



ROOFING SYSTEMS

DATE: 02/24/09	SHT.# ___ OF ___
DRN BY: JJC	DWG# 12010-5668
CKD BY: SAK	