

DOW DRIP EDGE

WITH CONTINUOUS CLEAT

INSTALLATION INSTRUCTIONS

NOTE : INSTALL MITERS FIRST.

STEP ① INSTALL DRIP EDGE MITERS FIRST. INSERT ONE SPLICE PLATE UNDER EACH END OF MITER WITH WATER CUT-OFF MASTIC TO BE FIELD APPLIED TO TOP OF EACH SPLICE AS SHOWN. FASTEN WITH 1 1/4" (32 mm) RING SHANK NAILS PROVIDED.

Water Cut-Off Mastic

① Miter

STEP ② POSITION 12' (3.65 m) CONTINUOUS CLEAT SECTIONS UNDER SPLICE PLATE AND MITER THEN FASTEN 12" O.C. (305 mm) AS SHOWN WITH 1 1/4" (32 mm) RING SHANK NAILS PROVIDED. LAP CONTINUOUS CLEAT 1" (25 mm) AT JOINTS.

STEP ③ INSERT ONE SPLICE PLATE UNDER LEFT END OF 12' (3.65 m) DRIP EDGE SECTION WITH SEALANT TO BE FIELD APPLIED TO TOP OF EACH SPLICE PLATE AS SHOWN.

STEP ④ INSTALL 12' (3.65 m) DRIP EDGE SECTIONS. DRIP EDGE SHALL BE INSTALLED FROM RIGHT TO LEFT AS SEEN FROM ROOFTOP. HOOK DRIP EDGE OF EACH DRIP EDGE SECTION ONTO CONTINUOUS CLEAT, ROTATE INTO PLACE, AND FASTEN 6" (152 mm) O.C. WITH 1 1/4" (32 mm) RING SHANK NAILS PROVIDED.

④ Drip Edge Sections

② Continuous Cleat

③ Splice Plate

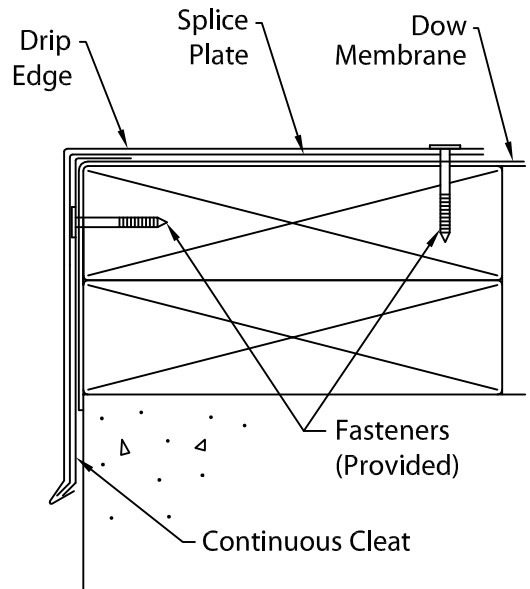
Fasten Drip Edge and Continuous Cleat with Provided Fasteners

⑤ 3/8" (10 mm) Space at Each Joint

STEP ⑤ CONTINUE BY INSTALLING DRIP EDGE SECTIONS ALLOWING A 3/8" (10 mm) SPACE BETWEEN SECTIONS AS SHOWN. FIELD CUT AS NECESSARY.

CAUTION : REMOVE PROTECTIVE FILM IMMEDIATELY AFTER INSTALLATION. INSTALLERS SHALL WEAR PROTECTIVE EYEWEAR TO PREVENT INJURY.

TYPICAL INSTALLATION



ROOFING SYSTEMS

P: 800-621-ROOF

DATE: 02/25/09

DRN BY: JJC

CKD BY: SAK

SHT.# ___ OF ___

DWG# 12110-3011

C